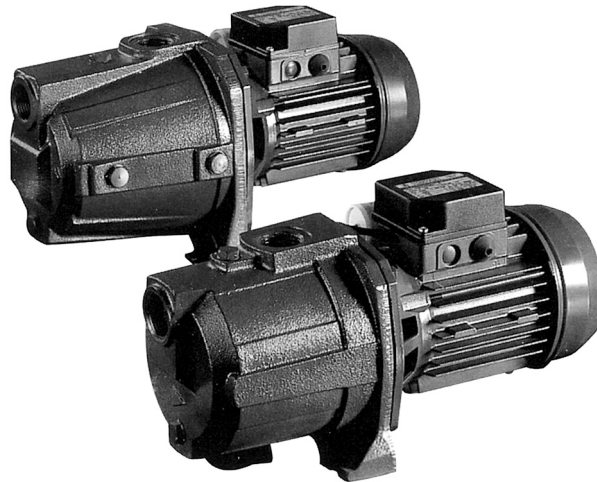


SELF PRIMING PUMPS in cast iron

Self-priming jet pumps produced in cast iron, suitable for water supply, domestic pressure and small irrigation systems, pool and tank emptying and general clean water pumping.



SPECIFICATIONS

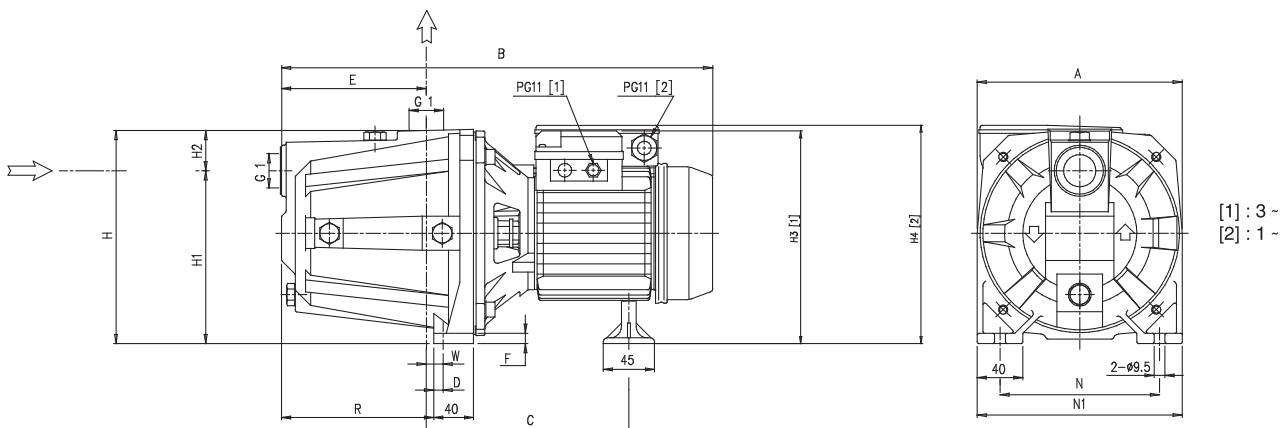
- Maximum working pressure : 6 bar
- Maximum liquid temperature : 45°C
- Maximum suction depth : 8 m

MATERIALS

- Pump body in cast iron
- Casing cover in AISI 304
- Shaft in AISI 416
- Impeller, nozzle and diffuser in technopolymer
- Mechanical seal in carbon/ceramic/NBR

TECHNICAL DATA

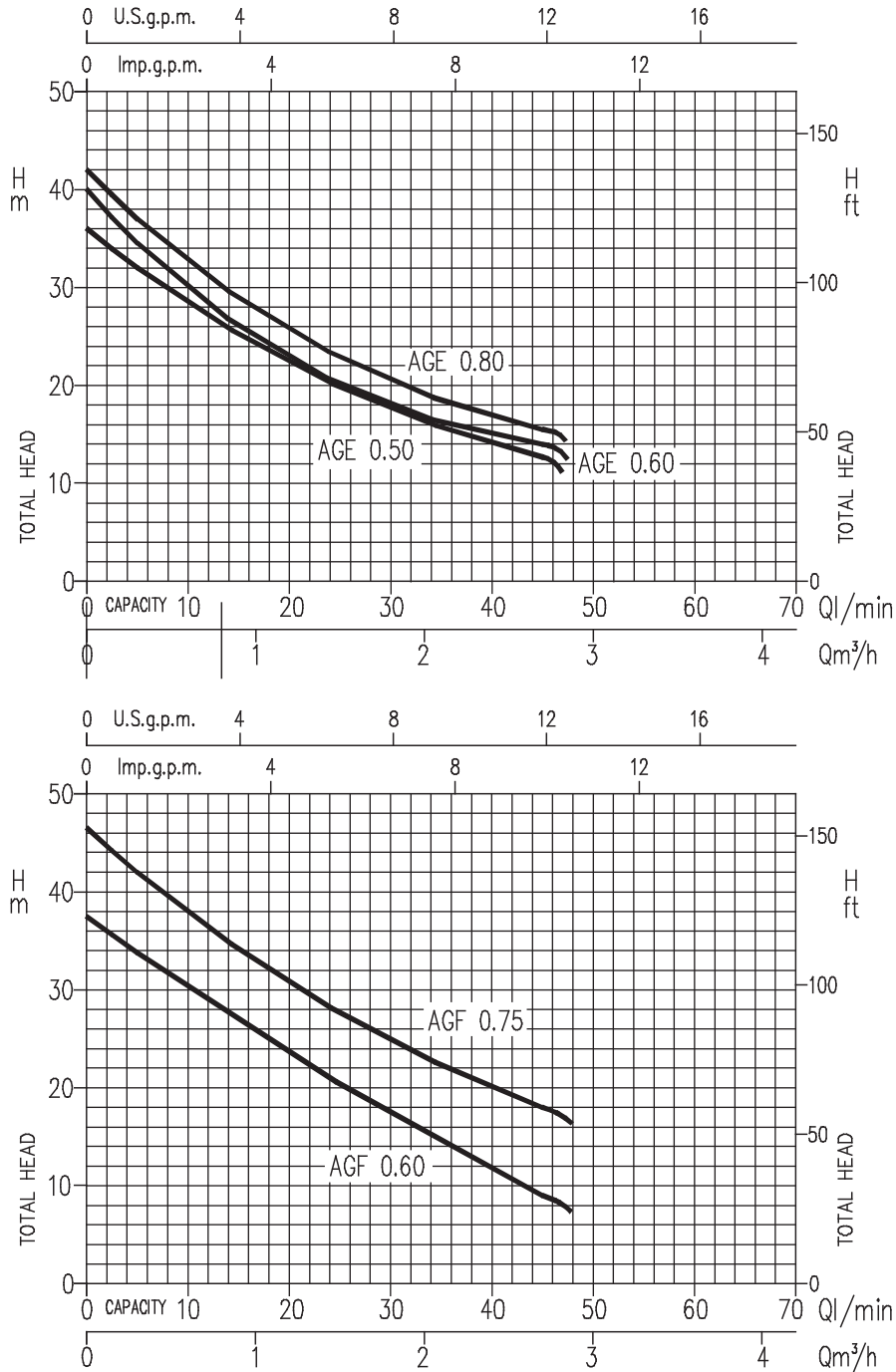
- Asynchronous 2 pole motor
- Insulation : Class F
- Protection degree: IP44
- 1~230V ± 10% 50Hz, 3~230/400V ± 10% 50Hz
- Permanent split capacitor and automatic thermal overload protection for single-phase version
- Thermal protection to be provided by the user
- DNA- DNM 1"



DIMENSION TABLE

Pump type		Dimensions (mm)														Weight Kg	
		A	B	C	D	E	F	H	H1	H2	H3	H4	N	N1	R		W
Single-phase	Three-phase										3~	1~					
AGE 0.50 M	AGE 0.50 T	150	352	193	17.3	99.5	8	160	122	38	172.5	174	110	150	111	24	8
AGE 0.60 M	AGE 0.60 T	150	352	193	17.3	99.5	8	160	122	38	172.5	174	110	150	111	24	8.5
AGE 0.80 M	AGE 0.80 T	150	352	193	17.3	99.5	8	160	122	38	172.5	174	110	150	111	24	9
AGF 0.60 M	AGF 0.60 T	180	377	191	10.3	127	9	185	152	33	187.5	189	140	180	129	12	11
AGF 0.80 M	AGF 0.80 T	180	377	191	10.3	127	9	185	152	33	187.5	189	140	180	129	12	12

PERFORMANCE CURVE



PERFORMANCE TABLE

Pump type		kW	Capacitor		Absorbed Current (A)			l/min m³/h	Q=Capacity					
Single-phase 230V 50Hz	Three-phase 230/400V 50Hz		μF	V _c	1~	230V	3~ 400V		5	10	20	30	40	45
								0.3	0.6	1.2	1.8	2.4	32.7	
								H=Total head						
AGE 0.50 M	AGE 0.50 T	0.37	10	450	2.4	2	1.1	32	28.4	22.4	17.6	14.1	12.7	
AGE 0.60 M	AGE 0.60 T	0.45	10	450	2.75	2	1.1	34.5	29.9	22.8	17.9	14.9	14	
AGE 0.80 M	AGE 0.80 T	0.6	10	450	2.8	2.1	1.2	37	32.7	25.6	20.5	16.8	15.5	
AGF 0.60 M	AGF 0.60 T	0.45	10	450	3	2.1	1.2	33.8	30.2	23.5	17.3	11.7	9	
AGF 0.80 M	AGF 0.80 T	0.6	12.5	450	3.7	2.4	1.4	42	37.9	30.7	24.8	20	18	