

SUBMERSIBLE ELECTRIC PUMPS FOR SEWAGE

in cast iron



DRD

Cast iron submersible electric pumps for sewage with impeller with several channels

APPLICATIONS

- Moving sewage, foul liquids in general
- Emptying seepage water
- Emptying cesspits
- Draining excavations

TECHNICAL DATA

- Maximum temperature of the liquid: <40°C
- Max. solids size for passage: 30÷140mm
- Three phase asynchronous motor
- Versions available: 2, 4 poles
- Class of insulation F (155°C)
- IP 68 protection rating
- 400V 50Hz three phase voltage
- Flange DN65, DN80, DN100, DN150, DN 200, DN 250, DN300
- Power up to 89.8 kW

MATERIALS

- Pump body, two-channel impeller, motor casing, volute base, cast iron upper cover
- Shaft in AISI 420B
- Equipped with two sealing systems:
 - lower: mechanical, silicone carbide
 - upper: ceramic/graphite

DRS

Cast iron submersible electric pumps with open impeller and grinder device at inlet

APPLICATIONS

- Evacuation of civil and industrial waste waters
- Moving foul waste water with filamentary substances and paper
- Emptying cesspits
- Emptying seepage water

TECHNICAL DATA

- Maximum temperature of the liquid: <40°C
- Max. solids size for passage: 6÷7mm
- Single and three phase asynchronous motor
- Versions available: 2 poles
- Class of insulation: F (155°C)
- IP 68 protection rating
- 230V, 50Hz single phase voltage
- 400V, 50Hz three phase voltage
- Flange DN40
- Power up to 4.9 kW

MATERIALS

- Pump body, grinder impeller, motor casing, volute base, cast iron upper cover
- Shaft in AISI 420B
- Equipped with two sealing systems:
 - Lower seal: mechanical, silicone carbide
 - Upper seal: NBR sealing ring

DRF

Cast iron submersible electric pumps for sewage with Vortex impeller

APPLICATIONS

- Moving foul waste water and sewage, generally foul liquids also with solid parts and filamentary substances
- Emptying seepage waters
- Emptying cesspits

TECHNICAL DATA

- Maximum temperature of the liquid: <40°C
- Max. solids size for passage: 30÷100mm
- Three phase asynchronous motor
- Versions available: 2, 4 poles
- Class of insulation: F (155°C)
- IP 68 protection rating
- 400V 50Hz three phase voltage
- Flange DN65, DN80, DN100, DN150
- Power up to 29 kW

MATERIALS

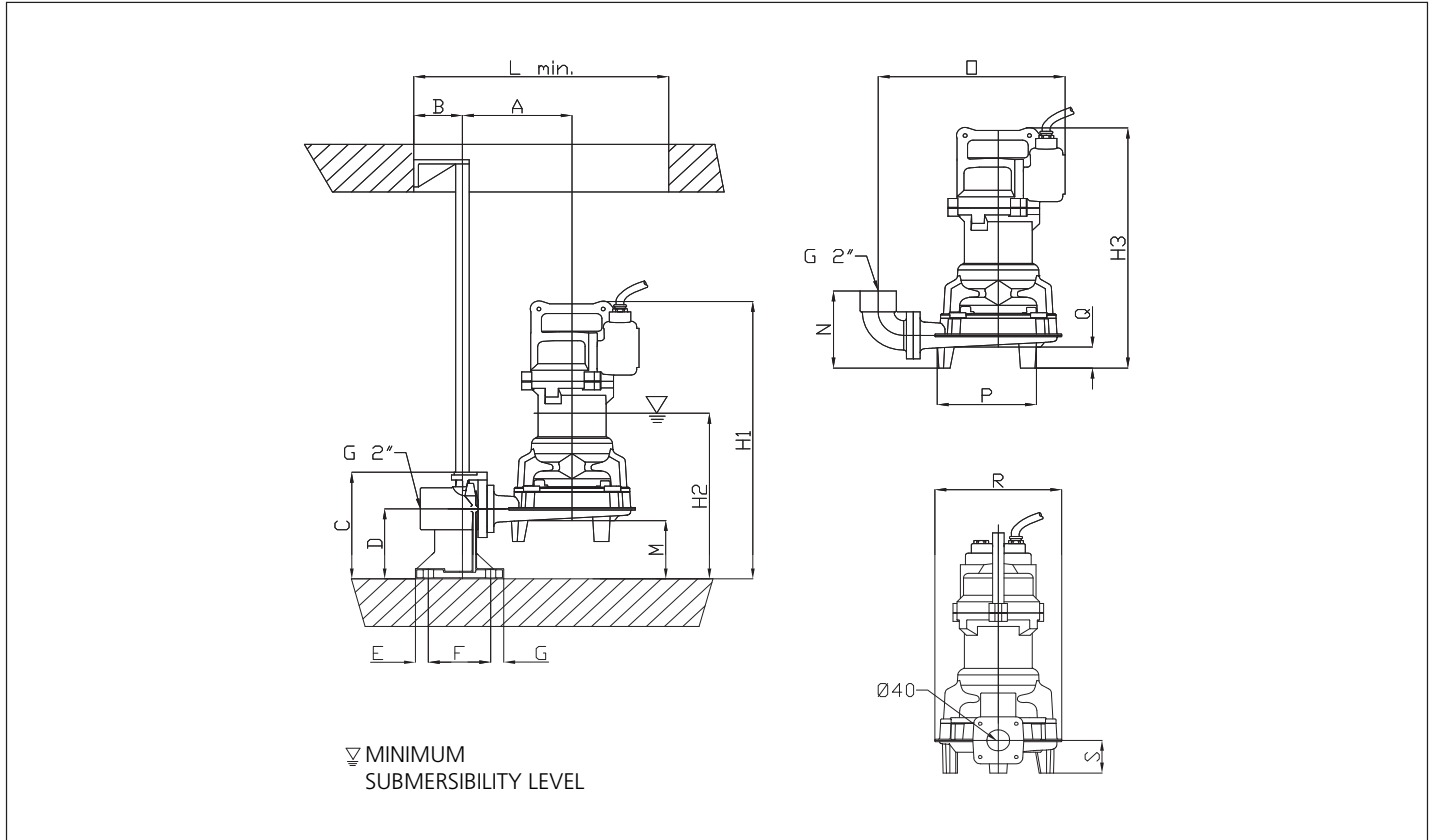
- Pump body, vortex impeller, motor casing, volute base, cast iron upper cover
- Shaft in AISI 420B
- Equipped with two sealing systems:
 - Lower seal: mechanical, silicone carbide
 - Upper seal: NBR sealing ring

For accessories and control panels see from page 66

SUBMERSIBLE ELECTRIC PUMPS FOR SEWAGE

in cast iron

DRS DIMENSIONS (DN 40 mm discharge)

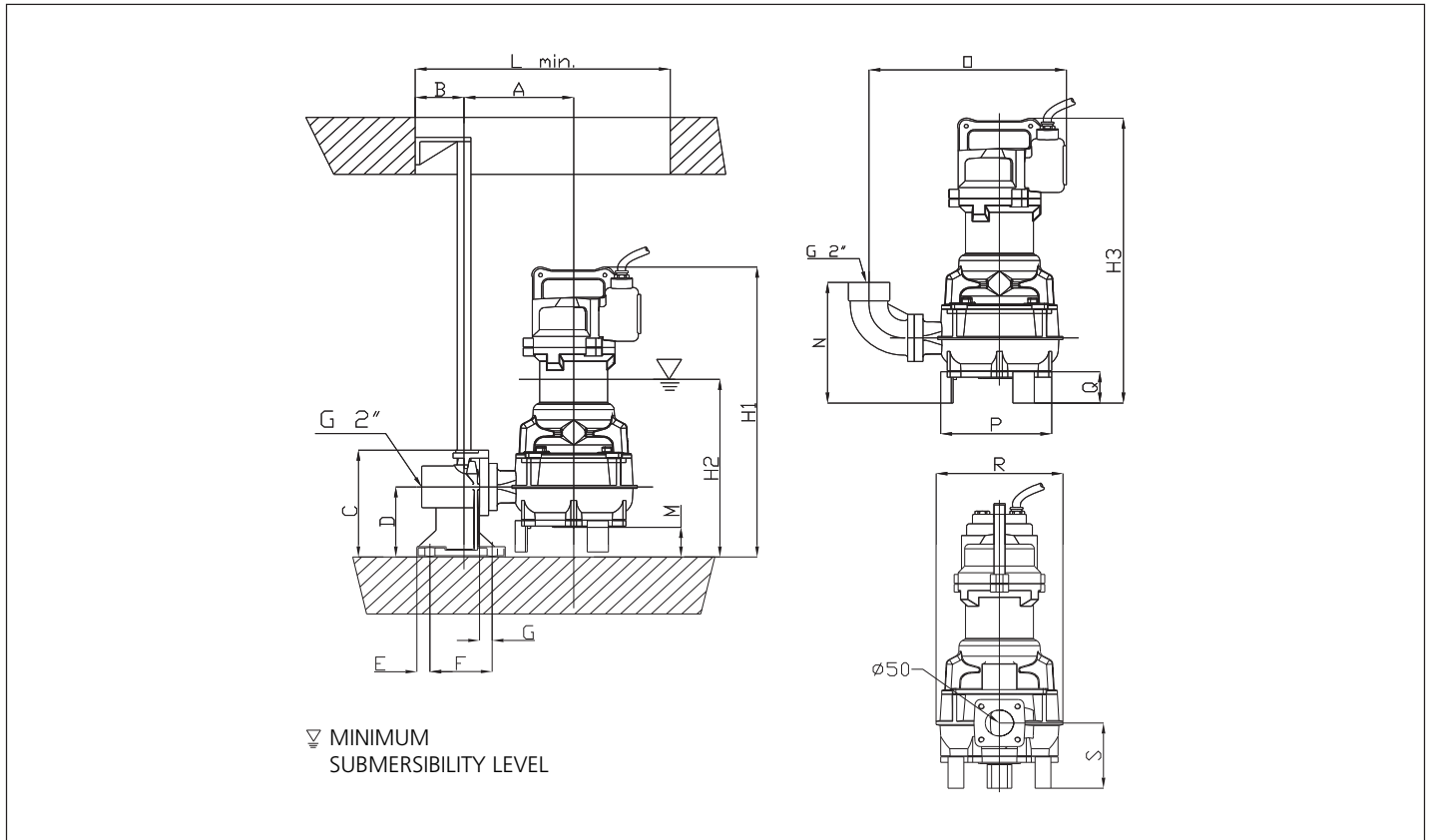


DIMENSIONS TABLE

Model	A	B	C	D	E	F	G	L	M	N	O	P	Q	R	S	H1	H2	H3
DRS/A40-100-1,4	178	86	204	134	23	111	22	450	77	212	336	242	-	318	106	518	311	490
DRS/A40-100-1,1M	178	86	204	134	23	111	22	450	77	212	336	242	-	318	106	518	311	490
DRS/A40-120-1,4	178	86	204	134	23	111	22	450	77	212	336	242	-	318	106	518	311	490
DRS/A40-120-1,1M	178	86	204	134	23	111	22	450	77	212	336	242	-	318	106	518	311	490
DRS/A40-140-1,4	178	86	204	134	23	111	22	450	77	212	336	242	-	318	106	518	311	490
DRS/A40-140-1,1M	178	86	204	134	23	111	22	450	77	212	336	242	-	318	106	518	311	490
DRS/A40-125-1,4	194	86	204	134	23	111	22	450	111	168	348	190	40	224	62	531	317	460
DRS/A40-125-1,1M	194	86	204	134	23	111	22	450	111	168	348	190	40	224	62	531	317	460
DRS/A40-136-1,4	194	86	204	134	23	111	22	450	111	168	348	190	40	224	62	531	317	460
DRS/A40-136-1,1M	194	86	204	134	23	111	22	450	111	168	348	190	40	224	62	531	317	460
DRS/A40-150-2,4	194	86	204	134	23	111	22	450	111	168	348	190	40	224	62	531	317	460
DRS/A40-150-1,8M	194	86	204	134	23	111	22	450	111	168	348	190	40	224	62	531	317	460
DRS/A40-150-3,2	189	86	204	134	23	111	22	450	70	230	368	230	80	242	124	460	325	450
DRS/A40-166-3,2	189	86	204	134	23	111	22	450	70	230	368	230	80	242	124	460	325	450
DRS/A40-172-4,1	189	86	204	134	23	111	22	450	70	230	375	230	80	242	124	527	346	517
DRS/A40-180-5,0	189	86	204	134	23	111	22	450	70	230	375	230	80	242	124	527	346	517
DRS/A40-192-5,0	189	86	204	134	23	111	22	450	70	230	375	230	80	242	124	527	346	517

SUBMERSIBLE ELECTRIC PUMPS FOR SEWAGE in cast iron

DRF DIMENSIONS (DN 50 mm discharge)

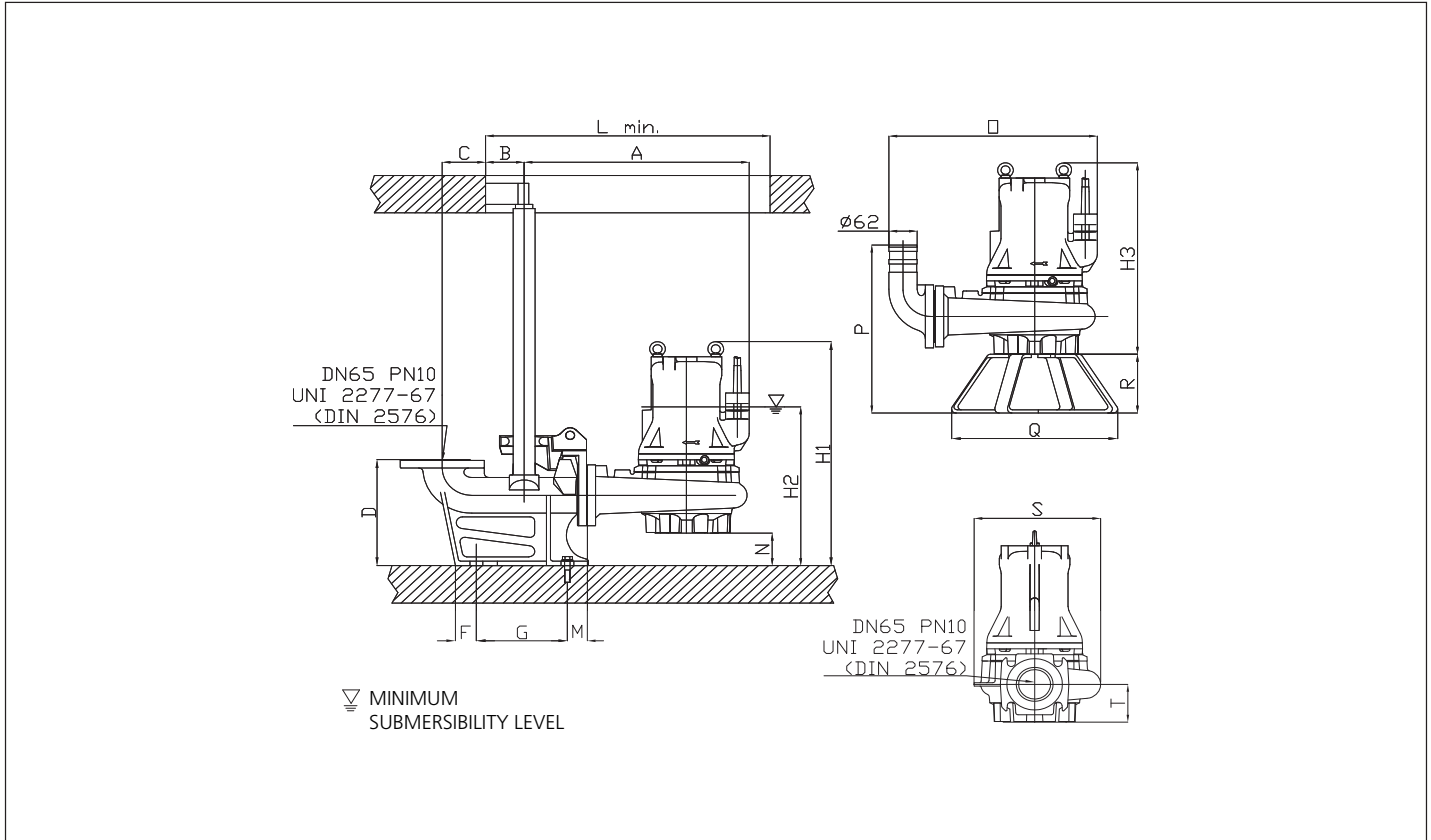


DIMENSIONS TABLE

Model	A	B	C	D	E	F	G	L	M	N	O	P	Q	R	S	H1	H2	H3
DRF/A50-130-1,4	194	86	204	134	23	111	22	450	56	231	348	196	60	224	125	554	339	545
DRF/A50-140-1,4	194	86	204	134	23	111	22	450	56	231	348	196	60	224	125	554	339	545
DRF/A50-155-2,4	194	86	204	134	23	111	22	450	56	231	348	196	60	224	125	554	339	545

SUBMERSIBLE ELECTRIC PUMPS FOR SEWAGE in cast iron

DRF-DRD DIMENSIONS (DN 65 mm discharge)



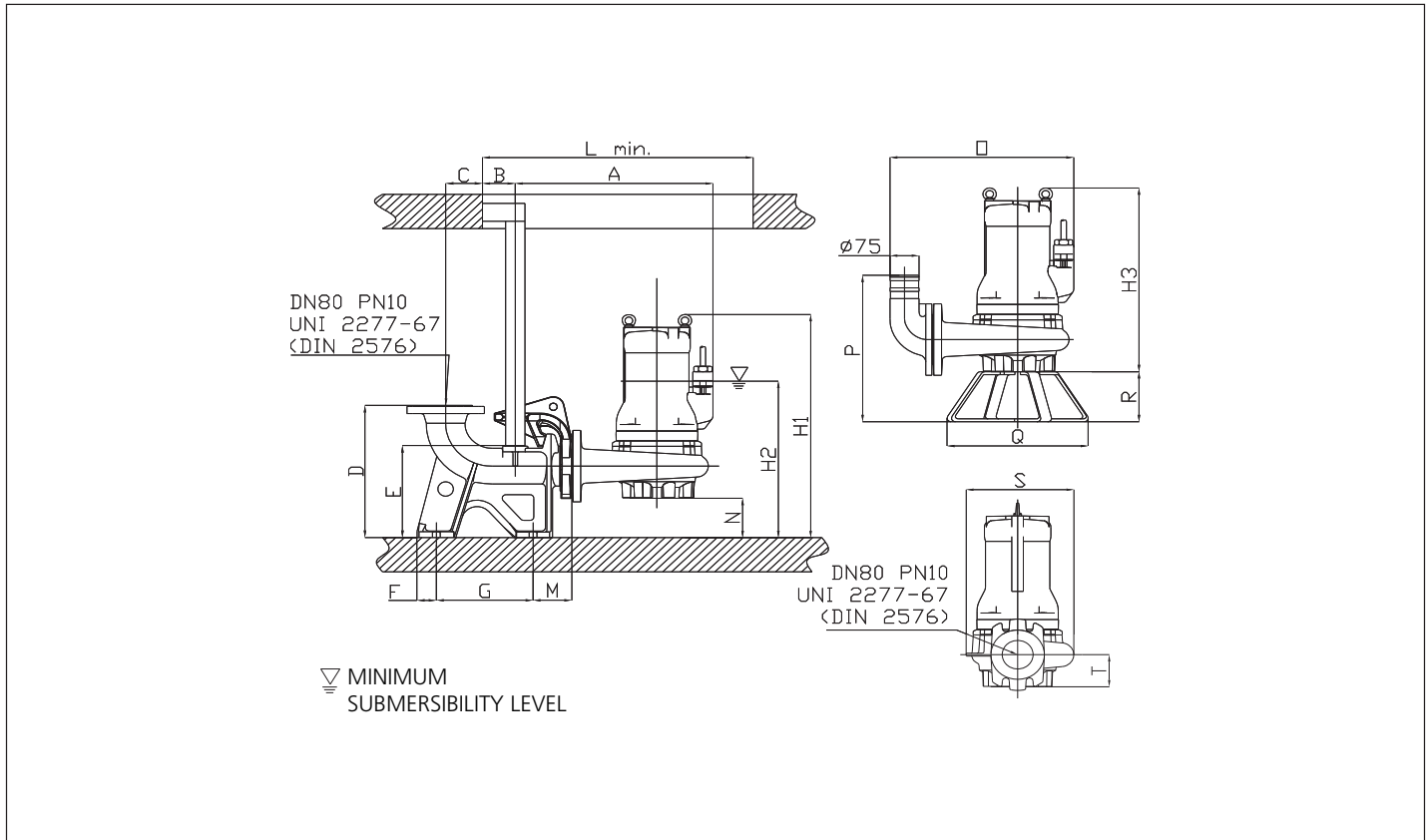
DIMENSIONS TABLE

Model	A	B	C	D	F	G	L	M	N	O	P	Q	R	S	T	H1	H2	H3
DRF/A65-145-1	447	89	91	251	46	200	600	42	96	434	227	196	60	260	121	603	383	556
DRF/A65-145-1M	447	89	91	251	46	200	600	42	96	434	227	196	60	260	121	603	383	556
DRF/A65-165-1	447	89	91	251	46	200	600	42	96	434	227	196	60	260	121	603	383	556
DRF/A65-165-1M	447	89	91	251	46	200	600	42	96	434	227	196	60	260	121	603	383	556
DRF/A65-182-1,4	447	89	91	251	46	200	600	42	96	434	227	196	60	260	121	603	383	556
DRF/A65-182-1,2M	447	89	91	251	46	200	600	42	96	434	227	196	60	260	121	603	383	556
DRD/A65-106-3,2	414	89	91	251	46	200	600	42	84	447	231	187	63	268	125	534	342	494
DRD/A65-115-3,2	414	89	91	251	46	200	600	42	84	447	231	187	63	268	125	534	342	494

SUBMERSIBLE ELECTRIC PUMPS FOR SEWAGE

in cast iron

DRF-DRD DIMENSIONS (DN 80 mm discharge)



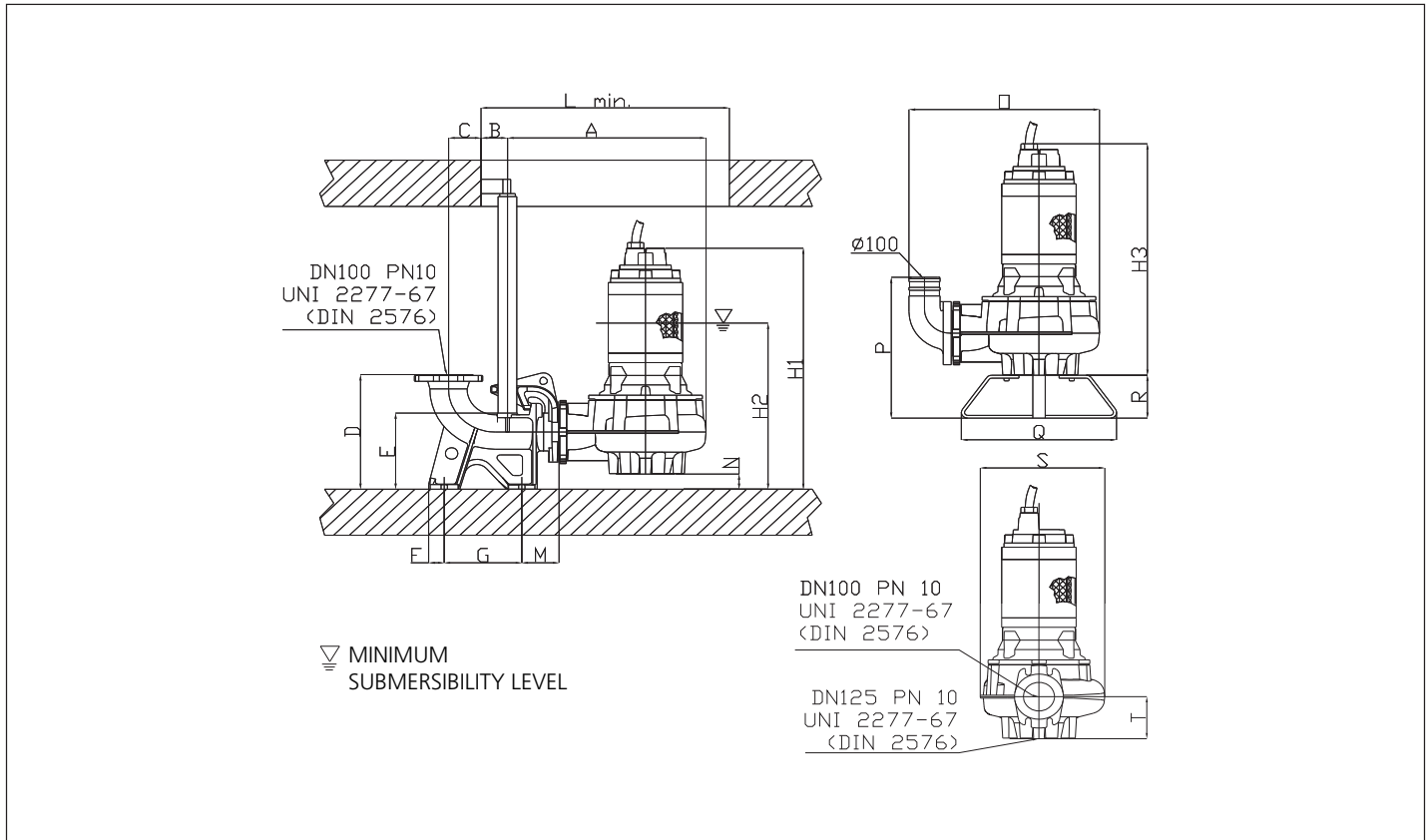
DIMENSIONS TABLE

Model	A	B	C	D	E	F	G	L	M	N	O	P	Q	R	S	T	H1	H2	H3
DRF/A80-145-3,2	541	85	95	370	258	50	250	658	120	116	570	430	365	140	298	97	603	447	487
DRF/A80-155-3,2	541	85	95	370	258	50	250	658	120	116	570	430	365	140	298	97	603	447	487
DRF/A80-160-5	541	85	95	370	258	50	250	658	120	116	570	430	365	140	298	97	669	482	553
DRF/A80-175-5,7	541	85	95	370	258	50	250	658	120	116	570	430	365	140	298	97	669	482	553
DRF/A80-188-18,2	611	85	95	370	258	50	250	800	120	122	555	408	500	150	328	78	958	638	836
DRF/A80-200-18,2	611	85	95	370	258	50	250	800	120	122	555	408	500	150	328	78	958	638	836
DRF/A80-205-15,9	671	85	95	370	258	50	250	900	120	60	612	461	500	150	343	140	923	608	848
DRF/A80-225-18,2	671	85	95	370	258	50	250	900	120	60	612	461	500	150	343	140	923	608	848
DRF/A80-165-1,4	498	85	95	370	258	50	250	658	120	104	442	416	365	140	264	96	637	418	538
DRF/A80-182-1,4	498	85	95	370	258	50	250	658	120	104	442	416	365	140	264	96	637	418	538
DRF/A80-180-2,8	547	85	95	370	258	50	250	700	120	79	512	441	365	140	312	121	595	461	487
DRF/A80-190-2,8	547	85	95	370	258	50	250	700	120	79	512	441	365	140	312	121	595	461	487
DRF/A80-190-3,8	547	85	95	370	258	50	250	700	120	79	512	441	365	140	312	121	654	480	575
DRF/A80-206-4,6	547	85	95	370	258	50	250	700	120	79	512	441	365	140	312	121	654	480	575
DRD/A80-123-5,7	511	85	95	370	258	50	250	700	120	110	475	420	370	140	278	90	625	438	514
DRD/A80-132-5,7	511	85	95	370	258	50	250	700	120	110	475	420	370	140	278	90	625	438	514

SUBMERSIBLE ELECTRIC PUMPS FOR SEWAGE

in cast iron

DRF-DRD DIMENSIONS (DN 100 mm discharge)



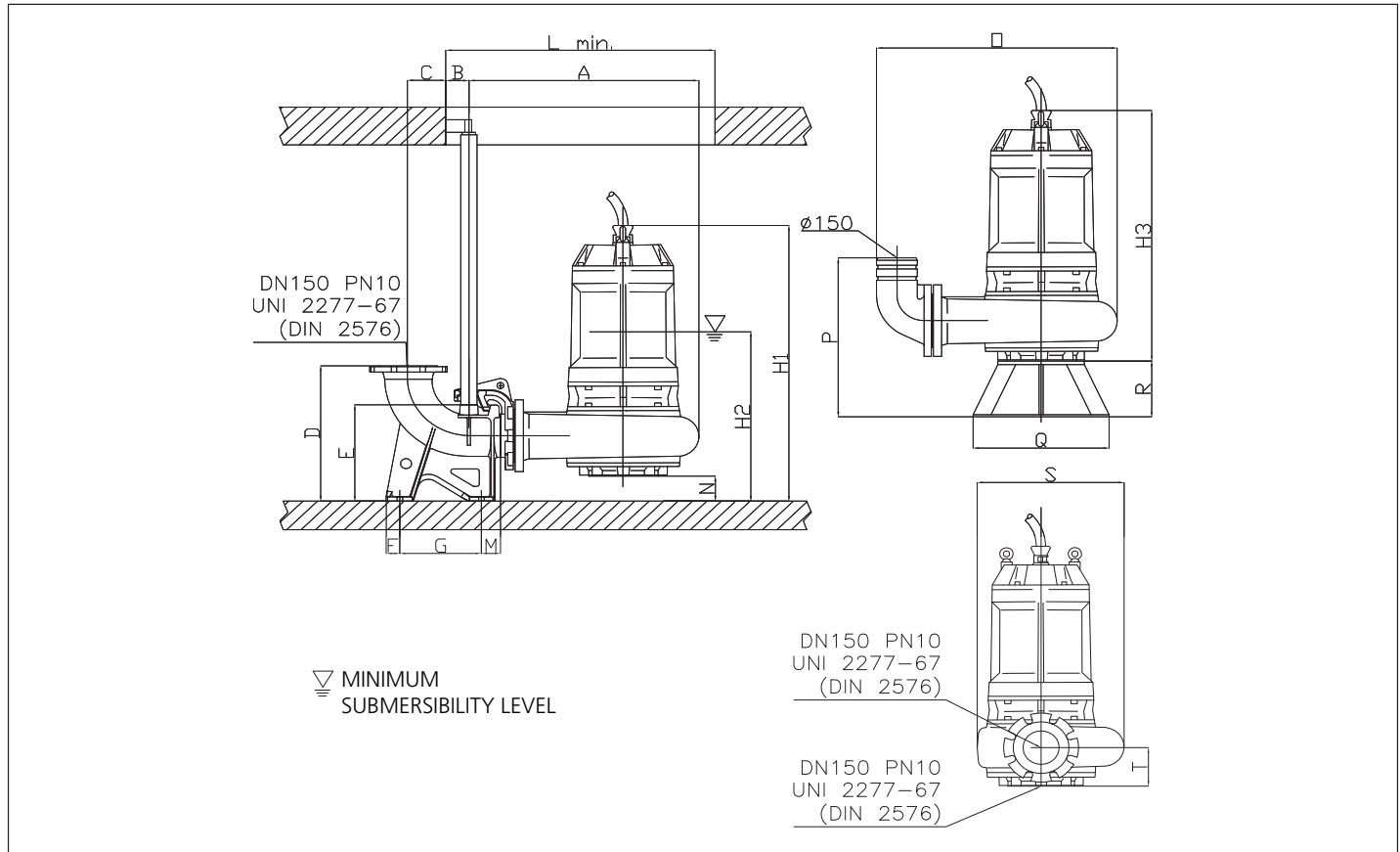
DIMENSIONS TABLE

Model	A	B	C	D	E	F	G	L	M	N	O	P	Q	R	S	T	H1	H2	H3
DRF/A100-230-5,1	633	85	105	400	266	50	250	800	120	89	607	456	500	150	360	110	854	580	785
DRF/A100-260-7,1	633	85	105	400	266	50	250	800	120	89	607	456	500	150	360	110	854	580	785
DRF/A100-260-5,2	633	85	105	400	266	50	250	800	120	89	607	456	500	150	360	110	854	580	785
DRF/A100-275-5,2	633	85	105	400	266	50	250	800	120	89	607	456	500	150	360	110	854	580	785
DRF/A100-215-10,1	640	85	105	400	266	50	250	800	120	53	614	492	500	150	401	147	943	623	891
DRF/A100-235-14,1	640	85	105	400	266	50	250	800	120	53	614	492	500	150	401	147	943	623	891
DRF/A100-255-14,1	640	85	105	400	266	50	250	800	120	53	614	492	500	150	401	147	943	623	891
DRD/A100-240-2,3	673	85	105	400	266	50	250	850	120	65	647	484	500	150	412	138	592	434	531
DRD/A100-240-2,2	673	85	105	400	266	50	250	850	120	65	647	484	500	150	412	138	662	486	597
DRD/A100-200-4,6	673	85	105	400	266	50	250	850	120	65	647	484	500	150	412	138	662	486	597
DRD/A100-225-7,2	640	85	105	400	266	50	250	800	120	54	614	492	500	150	400	147	841	580	808
DRD/A100-230-7,2	640	85	105	400	266	50	250	800	120	54	614	492	500	150	400	147	841	580	808
DRD/A100-230-10,1	640	85	105	400	266	50	250	800	120	53	615	492	500	150	395	155	879	549	826
DRD/A100-240-12,1	640	85	105	400	266	50	250	800	120	53	615	492	500	150	395	155	879	549	826
DRD/A100-165-13,8	628	85	105	400	266	50	250	750	120	127	602	418	500	150	352	110	920	605	794
DRD/A100-175-13,8	628	85	105	400	266	50	250	750	120	127	602	418	500	150	352	110	920	605	794
DRD/A100-185-18,2	628	85	105	400	266	50	250	750	120	127	602	418	500	150	352	110	920	605	794
DRD/A100-195-18,2	628	85	105	400	266	50	250	750	120	127	602	418	500	150	352	110	920	605	794
DRD/A100-215-48,2	673	85	105	400	266	50	250	750	120	62	642	484	500	150	411	139	1094	690	1033
DRD/A100-225-48,2	673	85	105	400	266	50	250	750	120	62	642	484	500	150	411	139	1094	690	1033
DRD/A100-240-48,2	673	85	105	400	266	50	250	750	120	62	642	484	500	150	411	139	1094	690	1033

SUBMERSIBLE ELECTRIC PUMPS FOR SEWAGE

in cast iron

DRF-DRD DIMENSIONS (DN 150 mm discharge)



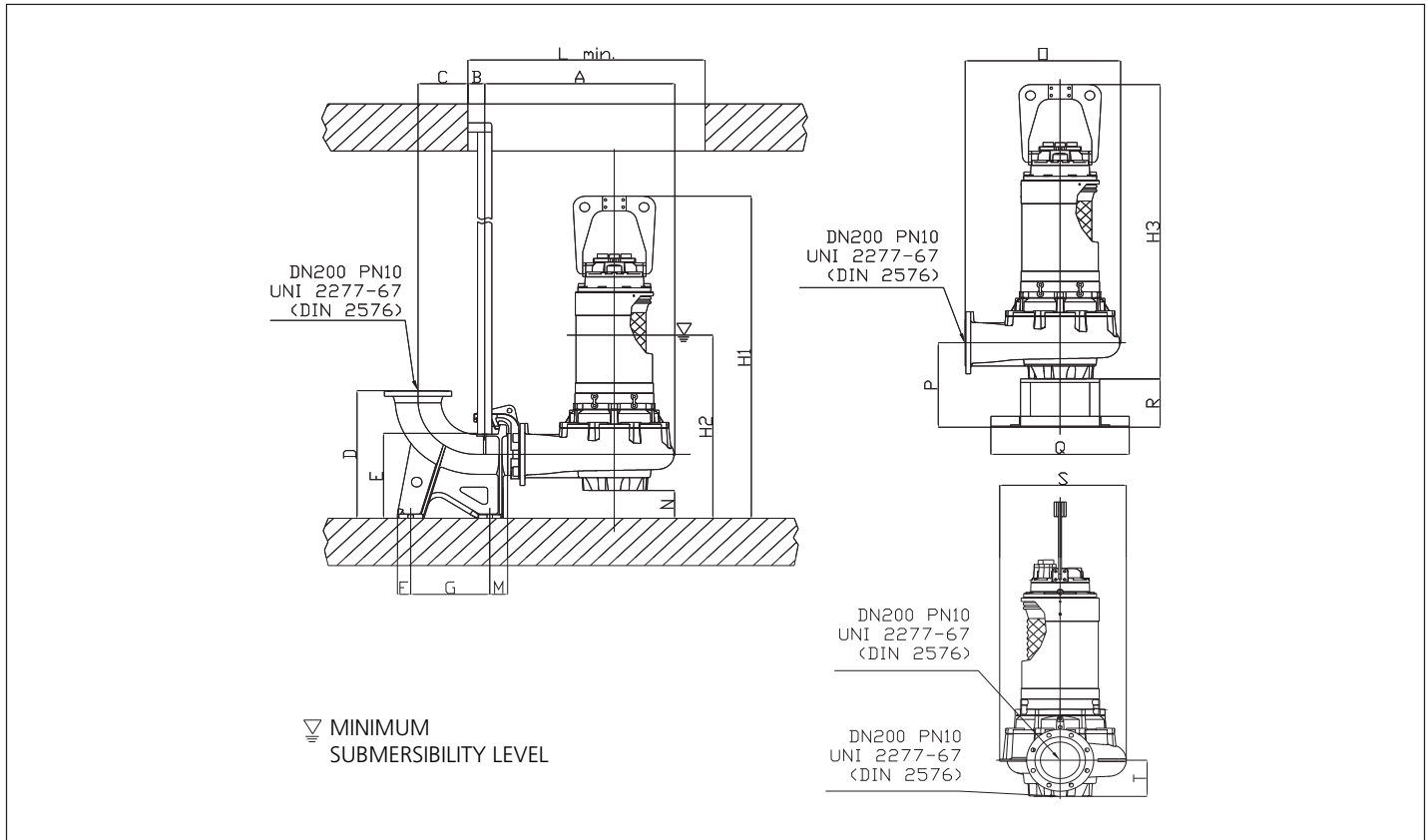
DIMENSIONS TABLE

Model	A	B	C	D	E	F	G	L	M	N	O	P	Q	R	S	T	H1	H2	H3
DRF/A150-340-25	880	85	141	525	373	50	300	1000	70	125	919	597	528	222	528	142	1139	717	1014
DRF/A150-360-35,7	880	85	141	525	373	50	300	1000	70	125	919	597	528	222	528	142	1139	717	1014
DRF/A150-360-11	880	85	141	525	373	50	300	1000	70	125	919	597	528	222	528	142	1139	717	1014
DRF/A150-400-13,6	880	85	141	525	373	50	300	1000	70	125	919	597	528	222	528	142	1139	717	1014
DRD/A150-275-5,2	673	85	141	525	373	50	300	850	70	83	914	650	500	222	596	178	933	652	820
DRD/A150-285-6,4	673	85	141	525	373	50	300	850	70	83	914	650	500	222	596	178	1725	893	1643
DRD/A150-320-13,5	846	85	141	525	373	50	300	990	70	90	885	635	500	225	548	160	1045	664	955
DRD/A150-300-11	846	85	141	525	373	50	300	990	70	90	885	635	500	225	548	160	1045	664	955
DRD/A150-320-32	846	85	141	525	373	50	300	990	70	90	885	635	500	225	540	160	1045	664	955
DRD/A150-290-25	846	85	141	525	373	50	300	990	70	90	885	635	500	225	540	160	1045	664	955
DRD/A150-270-25	846	85	141	525	373	50	300	990	70	90	885	635	500	225	540	160	1045	664	955
DRD/A150-290-35,7	846	85	141	525	373	50	300	990	70	90	885	635	500	225	540	160	1045	664	955
DRD/A150-305-35,7	846	85	141	525	373	50	300	990	70	90	885	635	500	225	540	160	1045	664	955
DRD/A150-310-35,7	846	85	141	525	373	50	300	990	70	90	885	635	500	225	540	160	1045	664	955
DRD/A150-345-52	917	85	141	525	373	50	300	1150	70	97	954	678	700	265	615	163	1709	877	1612
DRD/A150-360-84,1	917	85	141	525	373	50	300	1150	70	97	954	678	700	265	615	163	1790	914	1693
DRD/A150-380-84,1	917	85	141	525	373	50	300	1150	70	97	954	678	700	265	615	163	1790	914	1693
DRD/A150-400-84,1	917	85	141	525	373	50	300	1150	70	97	954	678	700	265	615	163	1790	914	1693

SUBMERSIBLE ELECTRIC PUMPS FOR SEWAGE

in cast iron

DRD DIMENSIONS (DN 200 mm discharge)



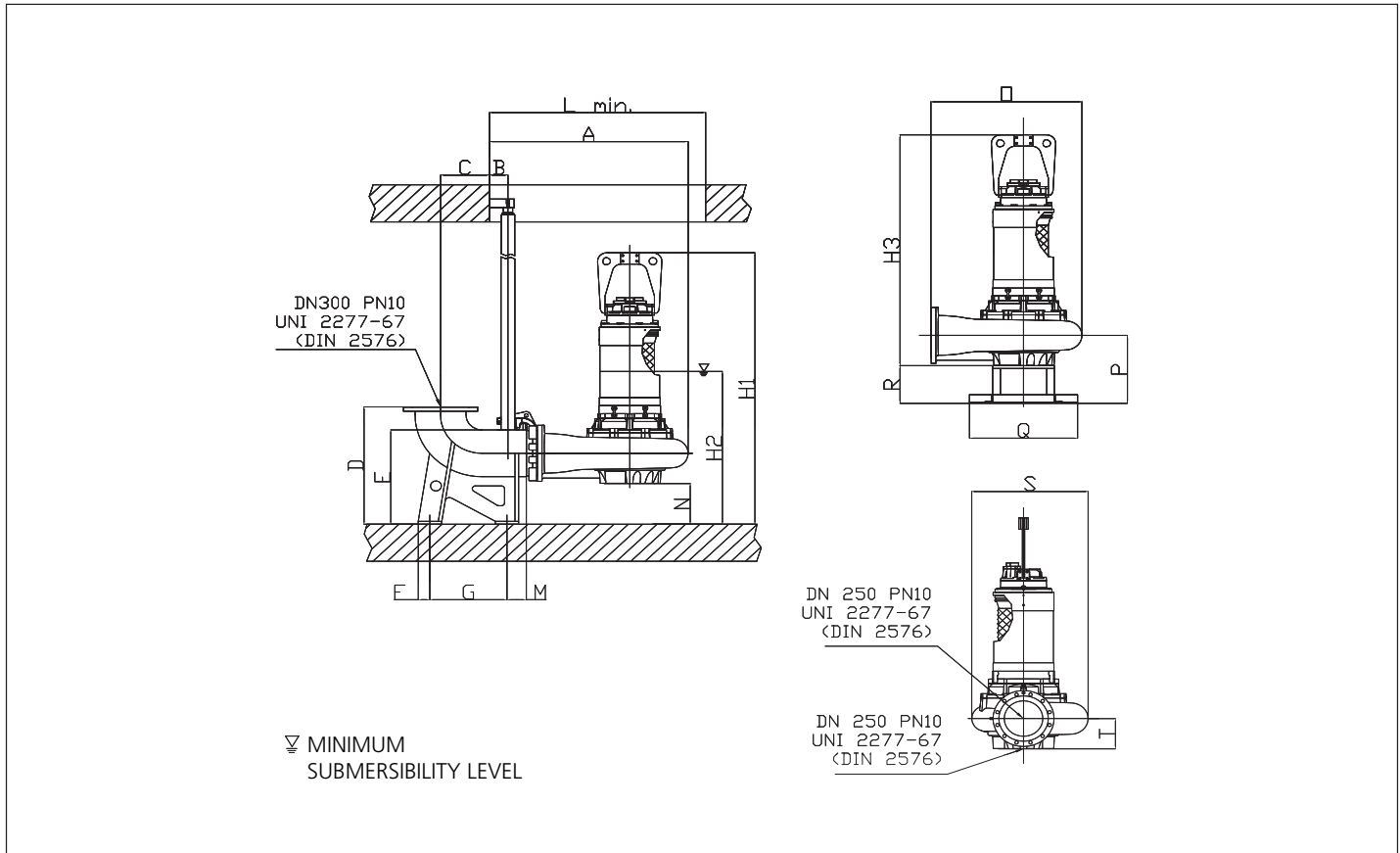
DIMENSIONS TABLE

Model	A	B	C	D	E	F	G	L	M	N	O	P	Q	R	S	T	H1	H2	H3
DRD/A200-315-46	962	85	252	700	461	67	400	1200	90	153	786	463	700	265	641	198	1765	1004	1613
DRD/A200-330-52	962	85	252	700	461	67	400	1200	90	153	786	463	700	265	641	198	1765	1004	1613
DRD/A200-341-52	962	85	252	700	461	67	400	1200	90	153	786	463	700	265	641	198	1765	1004	1613
DRD/A200-315-11	958	85	252	700	461	67	400	1200	90	139	782	476	700	265	604	211	1128	764	989
DRD/A200-330-13,6	958	85	252	700	461	67	400	1200	90	139	782	476	700	265	604	211	1128	764	989
DRD/A200-341-13,6	958	85	252	700	461	67	400	1200	90	139	782	476	700	265	604	211	1128	764	989
DRD/A200-305-19,8	958	85	252	700	461	67	400	1200	90	139	782	476	700	265	604	211	1128	764	989
DRD/A200-315-19,8	958	85	252	700	461	67	400	1200	90	139	782	476	700	265	604	211	1128	764	989
DRD/A200-330-29	958	85	252	700	461	67	400	1200	90	139	782	476	700	265	604	211	1128	764	989
DRD/A200-320-8,3	958	85	252	700	461	67	400	1200	90	139	782	476	700	265	604	211	1128	764	989
DRD/A200-341-8,3	958	85	252	700	461	67	400	1200	90	139	782	476	700	265	604	211	1128	764	989
DRD/A200-341-13	958	85	252	700	461	67	400	1200	90	139	782	476	700	265	604	211	1128	764	989

SUBMERSIBLE ELECTRIC PUMPS FOR SEWAGE

in cast iron

DRD DIMENSIONS (DN 250 mm discharge)



DIMENSIONS TABLE

Model	A	B	C	D	E	F	G	L	M	N	O	P	Q	R	S	T	H1	H2	H3
DRD/A250-345-77,2	1287	120	317	827	609	75	500	1400	125	286	978	479	700	265	753	214	1996	1083	1710
DRD/A250-360-77,2	1287	120	317	827	609	75	500	1400	125	286	978	479	700	265	753	214	1996	1083	1710
DRD/A250-375-84,1	1287	120	317	827	609	75	500	1400	125	286	978	479	700	265	753	214	1996	1083	1710
DRD/A250-390-84,1	1287	120	317	827	609	75	500	1400	125	286	978	479	700	265	753	214	1996	1083	1710
DRD/A250-325-29	1323	120	317	827	609	75	500	1400	125	286	1014	479	700	265	755	214	1278	945	992
DRD/A250-350-29	1323	120	317	827	609	75	500	1400	125	286	1014	479	700	265	755	214	1278	945	992
DRD/A250-375-40	1287	120	317	827	609	75	500	1400	125	286	978	479	700	265	753	214	1915	1083	1629
DRD/A250-390-40	1287	120	317	827	609	75	500	1400	125	286	978	479	700	265	753	214	1915	1083	1629
DRD/A250-341-13	1203	120	317	827	609	75	500	1400	125	286	1014	479	700	265	755	214	1278	905	992
DRD/A250-390-21,7	1167	120	317	827	609	75	500	1400	125	286	978	479	700	265	753	214	1915	1083	1629

SUBMERSIBLE ELECTRIC PUMPS FOR SEWAGE

in cast iron

DRD PERFORMANCE TABLE

Model	RPM	kW	Absorbed Curr. [A]		Discharge DN	Passage [mm]	Weight [kg]	Performance	
			3~400V	3~690V				Q [m³/h]	H [m]
DRD/A65-106-3,2 (*)	2850	3,2	6,5	-	65	30	58,0	3,0±30,0±80,0	14,0±11,5±4,0
DRD/A65-115-3,2 (*)	2850	3,2	6,5	-	65	30	58,0	3,0±30,0±70,0	17,3±15,2±9,3
DRD/A80-123-5,7 (*)	2850	5,7	-	12,5	80	30	77,0	3,0±50,0±100,0	21,2±17,9±8,7
DRD/A80-132-5,7 (*)	2850	5,7	-	12,5	80	30	77,0	3,0±50,0±100,0	24,4±21,6±11,9
DRD/A100-240-2,2 (*)	950	2,2	-	6	100	80	111,0	10,0±90,0±170,0	7,5±4,5±1,0
DRD/A100-200-4,6 (*)	1450	4,6	-	9,5	100	80	110,0	10,0±100,0±200,0	12,0±8,8±3,0
DRD/A100-240-2,3 (*)	950	2,3	-	6	100	80	96,0	10,0±90,0±180,0	8,5±5,5±2,0
DRD/A100-230-7,2 (*)	1450	7,2	-	13,5	100	60	160,0	10,0±100,0±200,0	17,5±11,5±4,0
DRD/A100-225-7,2 (*)	1450	7,2	-	13,5	100	80	160,0	10,0±120,0±220,0	14,0±12,0±4,0
DRD/A100-230-10,1 (*)	1450	10,1	-	22	100	80	200,0	10,0±120,0±220,0	17,5±13,5±6,5
DRD/A100-240-12,1 (*)	1450	12,1	-	27	100	80	200,0	10,0±120,0±220,0	20,5±15,0±7,5
DRD/A100-165-13,8 (*)	2850	13,8	-	29,5	100	40	200,0	3,0±100,0±180,0	34,0±24,0±10,0
DRD/A100-175-13,8 (*)	2850	13,8	-	29,5	100	40	200,0	3,0±100,0±200,0	39,0±28,0±15,0
DRD/A100-185-18,2 (*)	2850	18,2	-	34	100	40	200,0	3,0±100,0±200,0	44,0±33,0±18,0
DRD/A100-195-18,2 (*)	2850	18,2	-	34	100	40	200,0	3,0±50,0±90,0	46,0±43,0±40,0
DRD/A100-215-48,2 (*)	2850	48,2	-	86,5	100	50	355,0	10,0±100,0±200,0	55,0±50,0±36,5
DRD/A100-225-48,2 (*)	2850	48,2	-	86,5	100	50	355,0	10,0±100,0±200,0	61,5±56,5±43,5
DRD/A100-240-48,2 (*)	2850	48,2	-	86,5	100	50	355,0	30,0±100,0±200,0	70,0±65,5±50,0
DRD/A150-275-5,2 (*)	950	5,2	-	12,5	150	80	240,0	20,0±180,0±340,0	11,5±7,5±2,0
DRD/A150-285-6,4 (*)	950	6,4	-	16	150	80	280,0	20,0±180,0±360,0	13,5±8,5±3,0
DRD/A150-320-11 (*)	950	11	-	23	150	100	341,0	20,0±200,0±400,0	14,5±10,2±3,0
DRD/A150-320-13,5 (*)	950	13,5	-	27,5	150	100	341,0	20,0±200,0±400,0	17,1±12,8±4,7
DRD/A150-270-25 (*)	1450	25	-	48	150	100	351,0	20,0±200,0±400,0	27,2±20,1±9,7
DRD/A150-290-25 (*)	1450	25	-	48	150	80	355,0	20,0±200,0±400,0	32,4±21,6±9,4
DRD/A150-310-35,7 (*)	1450	35,7	-	65,5	150	80	355,0	20,0±150,0±300,0	33,3±27,5±21,5
DRD/A150-320-32 (*)	1450	32	-	65,5	150	80	355,0	20,0±200,0±320,0	38,7±28,5±22,5
DRD/A150-290-35,7 (*)	1450	35,7	-	65,5	150	100	351,0	20,0±200,0±400,0	29,5±24,7±15,2
DRD/A150-305-35,7 (*)	1450	35,7	-	65,5	150	100	480,0	20,0±250,0±500,0	35,5±28,5±12,2
DRD/A150-345-52 (*)	1450	52	-	92,5	150	60	550,0	20,0±200,0±400,0	41,1±40,0±28,5
DRD/A150-360-84,1 (*)	1450	84,1	-	135	150	60	565,0	20,0±250,0±500,0	44,1±42,0±28,5
DRD/A150-380-84,1 (*)	1450	84,1	-	135	150	60	565,0	20,0±250,0±460,0	50,1±47,5±44,0
DRD/A150-400-84,1 (*)	1450	84,1	-	135	150	60	565,0	20,0±250,0±460,0	56,1±52,5±44,5
DRD/A200-341-8,3 (*)	705	8,3	-	18,5	200	102	414,0	20,0±200,0±400,0	8,5±6,5±2,7
DRD/A200-315-11 (*)	950	11	-	23	200	102	471,0	20,0±200,0±400,0	13,1±9,4±5,0
DRD/A200-330-13,6 (*)	950	13,6	-	27,5	200	102	471,0	20,0±200,0±400,0	14,2±10,7±5,9
DRD/A200-341-13,6 (*)	950	13,6	-	27,5	200	102	471,0	20,0±200,0±400,0	15,5±13,7±8,2
DRD/A200-320-8,3 (*)	730	9,6	-	20	200	102	414,0	20,0±300,0±500,0	8,5±6,5±3,0
DRD/A200-341-13 (*)	720	13	-	31	200	102	414,0	20,0±300,0±500,0	9,0±7,8±4,0
DRD/A200-315-19,8 (*)	950	19,8	-	39	200	102	461,0	20,0±300,0±600,0	14,5±12,5±3,7
DRD/A200-305-19,8 (*)	950	19,8	-	39	200	102	462,0	20,0±300,0±600,0	12,0±10,0±2,5
DRD/A200-330-29 (*)	950	29	-	57	200	102	462,0	20,0±300,0±600,0	17,0±15,1±8,5
DRD/A200-315-46 (*)	1450	46	-	83,5	200	102	665,0	20,0±350,0±700,0	29,5±22,5±7,2
DRD/A200-341-52 (*)	1450	52	-	92,5	200	102	665,0	20,0±350,0±700,0	36,5±27,5±14,2
DRD/A200-330-52 (*)	1450	52	-	92,5	200	102	665,0	20,0±350,0±700,0	33,5±26,5±14,2

(*) Tripod or lowering device necessary (see accessories on page 67)

SUBMERSIBLE ELECTRIC PUMPS FOR SEWAGE

in cast iron

DRS PERFORMANCE TABLE

Model	RPM	Pn Motor P2 kW	Absorbed Curr. [A] 1~ 230V	Discharge DN	Passage [mm]	Weight [kg]	Performance	
							Q [m³/h]	H [m]
DRS/A 40-100-1,1 M	2850	1,1	7,5	40	6	30,0	2,0÷6,0÷10,0	7,2÷4,9÷2,6
DRS/A 40-120-1,1 M	2850	1,1	7,5	40	6	30,0	2,0÷6,0÷10,0	10,9÷8,0÷5,2
DRS/A 40-140-1,1 M	2850	1,1	7,5	40	6	30,0	2,0÷6,0÷10,0	15,8÷12,8÷9,5
DRS/A 40-125-1,1 M (**)	2850	1,1	7,5	40	6	40,0	3,0÷10,0÷13,0	16,0÷12,4÷9,7
DRS/A 40-136-1,1 M (**)	2850	1,1	7,5	40	6	40,0	3,0÷10,0÷13,0	20,1÷15,0÷11,6
DRS/A 40-150-1,8 M (**)	2850	1,8	10	40	6	40,0	3,0÷10,0÷16,0	24,6÷19,4÷11,7

Electric pumps equipped with electric control panel

(**) Small flange or bend necessary in the case of mobile installation (see accessories on page 67)

Model	RPM	kW	Absorbed Curr. [A]		Discharge DN	Passage [mm]	Weight [kg]	Performance	
			3~ 400V	3~ 690V				Q [m³/h]	H [m]
DRS/A 40-100-1,4	2850	1,4	3	-	40	6	30,0	2,0÷6,0÷10,0	8,0÷5,5÷3,1
DRS/A 40-120-1,4	2850	1,4	3	-	40	6	30,0	2,0÷6,0÷10,0	11,6÷9,0÷6,2
DRS/A 40-140-1,4	2850	1,4	3	-	40	6	30,0	2,0÷6,0÷12,0	16,5÷13,0÷8,0
DRS/A 40-125-1,4 (**)	2850	1,4	3,5	-	40	6	40,0	3,0÷10,0÷13,0	16,0÷12,8÷9,8
DRS/A 40-136-1,4 (**)	2850	1,4	3,5	-	40	6	40,0	3,0÷10,0÷13,0	20,1÷15,0÷11,6
DRS/A 40-150-2,4 (**)	2850	2,4	5	-	40	6	40,0	3,0÷10,0÷14,0	24,4÷20,0÷15,0
DRS/A 40-150-3,2 (**)	2850	3,2	6,5	-	40	7	45,0	3,0÷10,0÷14,0	27,0÷23,0÷21,0
DRS/A 40-166-3,2 (**)	2850	3,2	6,5	-	40	7	45,0	3,0÷10,0÷14,0	32,1÷28,4÷25,0
DRS/A 40-172-4,1 (**)	2850	4,1	-	8,5	40	7	64,0	3,0÷10,0÷15,0	35,8÷32,3÷26,5
DRS/A 40-180-5,0 (**)	2850	5	-	11	40	7	64,0	3,0÷10,0÷15,0	39,2÷35,0÷31,0
DRS/A 40-192-5,0 (**)	2850	5	-	11	40	7	64,0	3,0÷10,0÷15,0	45,5÷40,4÷36,0

(**) Small flange or bend necessary in the case of mobile installation (see accessories on page 67)

SUBMERSIBLE ELECTRIC PUMPS FOR SEWAGE

in cast iron

DRF PERFORMANCE TABLE

Model	RPM	kW	Absorbed Curr. [A]		Discharge DN	Passage [mm]	Weight [kg]	Performance	
			1~230V	3~690V				Q [m³/h]	H [m]
DRF/A65-145-1,0M (**)	1450	1	7	-	65	50	42,0	3,0÷16,0÷30,0	6,4÷4,7÷2,7
DRF/A65-165-1,0M (**)	1450	1	7	-	65	50	42,0	3,0÷16,0÷30,0	7,6÷6,0÷3,8
DRF/A65-182-1,2M (**)	1450	1,2	8,5	-	65	50	42,0	3,0÷16,0÷40,0	9,0÷7,0÷3,0

(**) Small flange or bend necessary in the case of mobile installation (see accessories on page 67)

Model	RPM	kW	Absorbed Curr. [A]		Discharge DN	Passage [mm]	Weight [kg]	Performance	
			3~400V	3~690V				Q [m³/h]	H [m]
DRF/A 50-130-1,4 (**)	2850	1,4	3,5	-	50	50	43,0	3,0÷16,0÷30,0	11,0÷6,5÷2,7
DRF/A 50-140-1,4 (**)	2850	1,4	3,5	-	50	50	43,0	3,0÷16,0÷30,0	12,3÷10,0÷5,8
DRF/A 50-155-2,4 (**)	2850	2,4	5	-	50	50	43,0	3,0÷16,0÷30,0	14,3÷10,0÷5,8
DRF/A65-145-1,0 (**)	1450	1	3	-	65	50	42,0	3,0÷16,0÷30,0	6,4÷4,8÷2,7
DRF/A65-165-1,0 (**)	1450	1	3	-	65	50	42,0	3,0÷16,0÷30,0	7,6÷5,9÷3,8
DRF/A65-182-1,4 (**)	1450	1,4	3,5	-	65	50	42,0	3,0÷20,0÷50,0	9,2÷6,6÷1,3
DRF/A80-165-1,4 (*)	1450	1,4	3,5	-	80	50	47,0	3,0÷20,0÷50,0	6,7÷5,3÷2,0
DRF/A80-182-1,4 (*)	1450	1,4	3,5	-	80	50	47,0	3,0÷20,0÷50,0	7,9÷6,3÷3,0
DRF/A80-180-2,8 (*)	1450	2,8	6,5	-	80	64	63,0	3,0÷50,0÷100,0	8,6÷5,7÷1,0
DRF/A80-190-2,8 (*)	1450	2,8	6,5	-	80	64	63,0	3,0÷50,0÷100,0	9,7÷6,2÷2,0
DRF/A80-145-3,2 (*)	2850	3,2	6,5	-	80	50	60,0	3,0÷30,0÷60,0	14,5÷7,5÷2,0
DRF/A80-155-3,2 (*)	2850	3,2	6,5	-	80	50	60,0	3,0÷30,0÷60,0	17,0÷10,0÷3,0
DRF/A80-190-3,8 (*)	1450	3,8	-	8	80	64	79,0	10,0÷60,0÷120,0	10,5÷7,0÷2,0
DRF/A80-206-4,6 (*)	1450	4,6	-	9,5	80	64	79,0	10,0÷60,0÷120,0	12,5÷9,4÷4,0
DRF/A80-160-5,0 (*)	2850	5	-	11	80	50	77,0	3,0÷30,0÷70,0	19,2÷12,3÷2,3
DRF/A80-175-5,7 (*)	2850	5,7	-	12,5	80	50	77,0	3,0÷30,0÷70,0	24,5÷16,5÷6,3
DRF/A80-200-18,2 (*)	2850	18,2	-	34	80	40x50	191,0	3,0÷20,0÷50,0	46,2÷43,2÷37,0
DRF/A80-188-18,2 (*)	2850	18,2	-	34	80	40x50	191,0	3,0÷20,0÷70,0	43,2÷39,2÷30,0
DRF/A80-205-15,9 (*)	2850	15,9	-	30	80	80	190,0	20,0÷60,0÷120,0	30,0÷22,0÷8,0
DRF/A80-225-18,2 (*)	2850	18,2	-	34	80	80	190,0	20,0÷60,0÷120,0	35,5÷26,2÷12,0
DRF/A100-230-5,1 (*)	1450	5,1	-	11	100	70x90	160,0	10,0÷80,0÷140,0	14,0÷9,0÷3,4
DRF/A100-260-7,1 (*)	1450	7,1	-	13,5	100	70x90	160,0	10,0÷80,0÷140,0	16,0÷11,5÷4,4
DRF/A100-260-5,2 (*)	950	5,2	-	12,5	100	80	166,0	10,0÷100,0÷200,0	10,5÷8,1÷2,9
DRF/A100-275-5,2 (*)	950	5,2	-	12,5	100	80	166,0	10,0÷100,0÷200,0	8,1÷6,2÷1,8
DRF/A100-215-10,1 (*)	1450	10,1	-	22	100	80	200,0	10,0÷100,0÷200,0	14,5÷10,6÷4,5
DRF/A100-235-14,1 (*)	1450	14,1	-	30	100	80	200,0	10,0÷100,0÷200,0	16,5÷13,7÷7,5
DRF/A100-255-14,1 (*)	1450	14,1	-	30	100	80	200,0	10,0÷100,0÷200,0	19,0÷17,0÷11,0
DRF/A150-360-11,0 (*)	950	11	-	23	150	100	361,0	10,0÷100,0÷200,0	13,4÷9,4÷4,4
DRF/A150-400-13,6 (*)	950	13,6	-	27,5	150	100	361,0	10,0÷100,0÷200,0	16,5÷12,1÷6,7
DRF/A150-340-25,0 (*)	1450	25	-	48	150	100	361,0	10,0÷100,0÷200,0	25,9÷19,8÷13,1
DRF/A150-360-35,7 (*)	1450	35,7	-	65,5	150	100	361,0	3,0÷100,0÷200,0	30,2÷22,6÷15,1

(*) Tripod or lowering device necessary (see accessories on page 67)

(**) Small flange or bend necessary in the case of mobile installation (see accessories on page 67)