

**COMPACT BOOSTER MODEL AM – PC**

**OPERATING FEATURES**

- Quiet operation, thanks to EBARA design that makes this possible
- Starts and stops the pump when the tap is opened or closed
- Maintain pressure at a constant level during operation, eliminating hot/cold shower fluctuations
- Shuts off the pump if loss of prime or dry-running occurs
- Ensure your pump system to operate at optimum performance



**PC CONTROLLER**

**PRESSCONTROL (PC)** is an electronic device ensuring optimum control of automatic water pressure system.

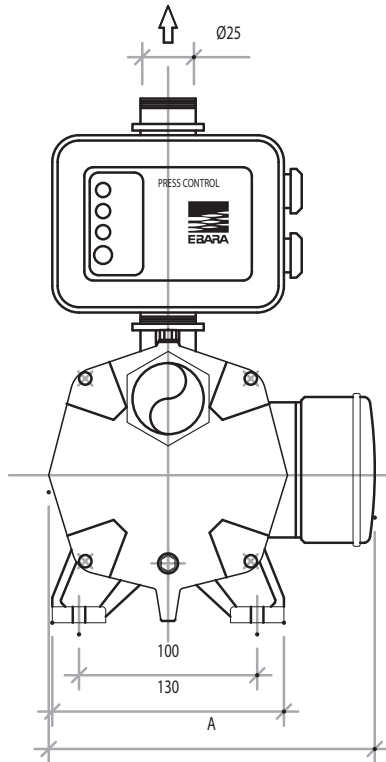
An intelligent combination of hydraulic and electronic know-how, PC controller monitors both pressure and flow and automatically controls the pump efficiently. No pressure tank required and no adjustment of pressure setting is required. Also, any risk of pump damage as a result of dry running is eliminated, as the device will automatically cut-off should the incoming water supply is insufficient.

Much more compact than traditional system, **EBARA COMPACT BOOSTER** type AM-PC is absolutely quiet, durable and simple to install.

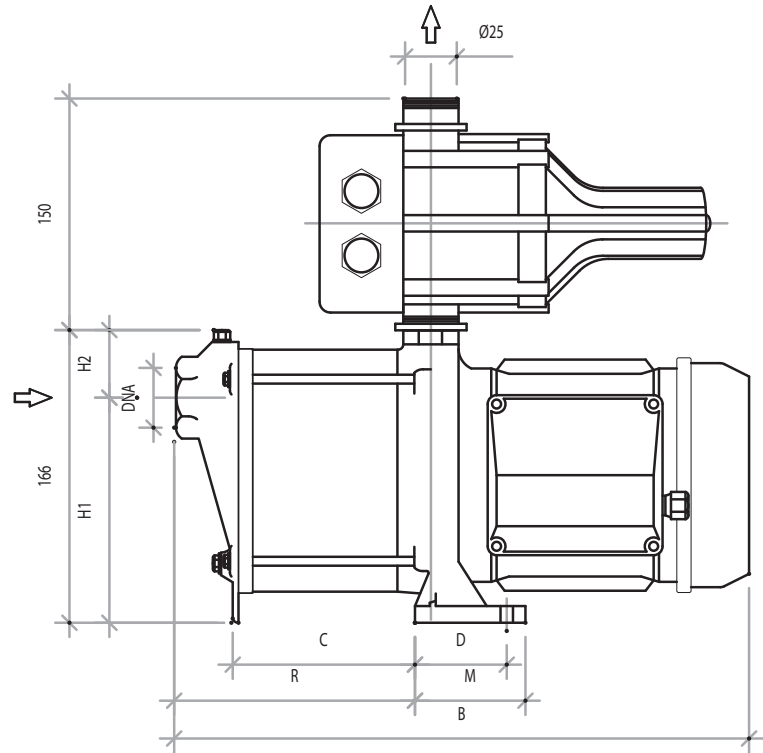
**COMPACT BOOSTER MODEL AM - PC**

MODEL	kW	*Application	ℓ/min	20	30	40	50	60	80	Connection
			m <sup>3</sup> /h	1.2	1.8	2.4	3	3.6	4.8	
Compact Booster AM 6-PC	0.4		Head in m	30.7	28.2	25.2	21.8	18	9	1" x 1"
Compact Booster AM 8-PC	0.6			39.7	36.1	32	27.4	22.4	10.5	1" x 1"

*\*For guidance only*

**COMPACT BOOSTER MODEL AM-PC**
**DIMENSION**


FRONT VIEW



SIDE VIEW

Pump Type	kW	Dimensions (mm)									DNA	
		A	B	C	D	E	H1	H2	M	R		
Single Phase		1~										
COMPACT AM 6-PC	0.4	183.5	333.3	108	51.5	146.5	127.5	38.5	62	146.5	1" NPT	
COMPACT AM 8-PC	0.6	183.5	359.5	134	51.5	172.5	127.5	38.5	62	172.5	1" NPT	