

## SUBMERSIBLE TURBINE PUMPS

Stainless steel borehole turbine pumps for 8" deep wells specially designed to answer the high volume water needs in water works and water distribution, private and public, sprinkler systems for agricultural irrigation, supply of water for processing and cooling applications in industry, pressure booster sets and water treatment plants.



### SPECIFICATIONS

- Maximum allowable amount of sands 50ppm
- Maximum liquid temperature : 50°C

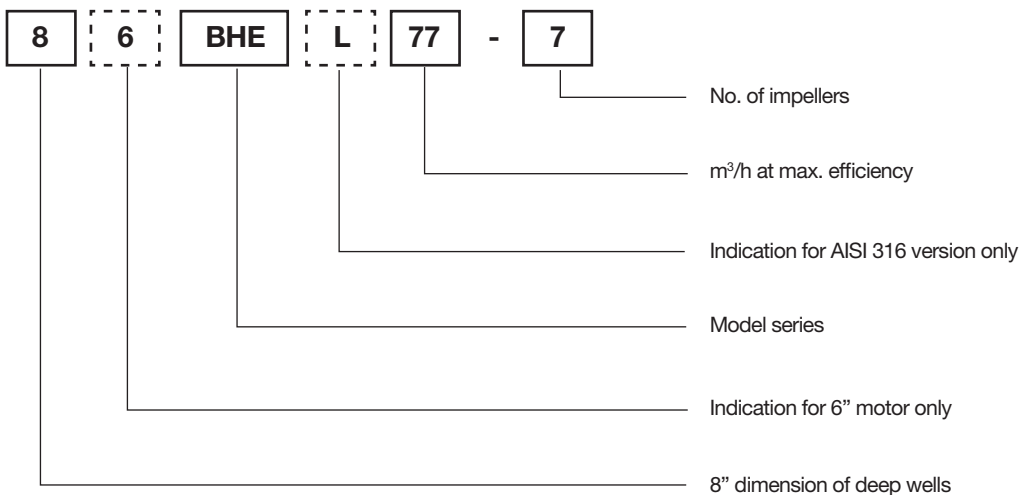
### MATERIAL

- Completely in AISI 316
- Built and designed to resist the most complex and severe conditions
- All parts subject to wear can be easily replaced. No special tools are needed
- External stainless sleeve connected to the suction and delivery ends by a removable device
- Impellers and turbine bowls with three-dimensional twisted blades to enhance efficiency and delivery head per stage

### TECHNICAL DATA

- Double cable guard
- Discharge outlet adapters
- Protection degree IP58 (OY), IP68 (WY)
- 3 ~ 380V -10% 50Hz (OY)
- 3 ~ 400V +6% 50Hz (OY)
- 3 ~ 380V -10% 50Hz (WY)
- 3 ~ 415V +6% 50Hz (WY)
- Insulation : Class F (6" OY version)  
(8" WY version)  
B (6" WY version)
- Discharge Rp 5"

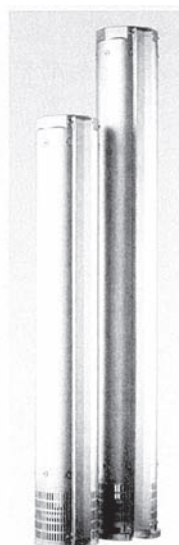
### PUMP IDENTIFICATION CODE



## MATERIAL SPECIFICATION

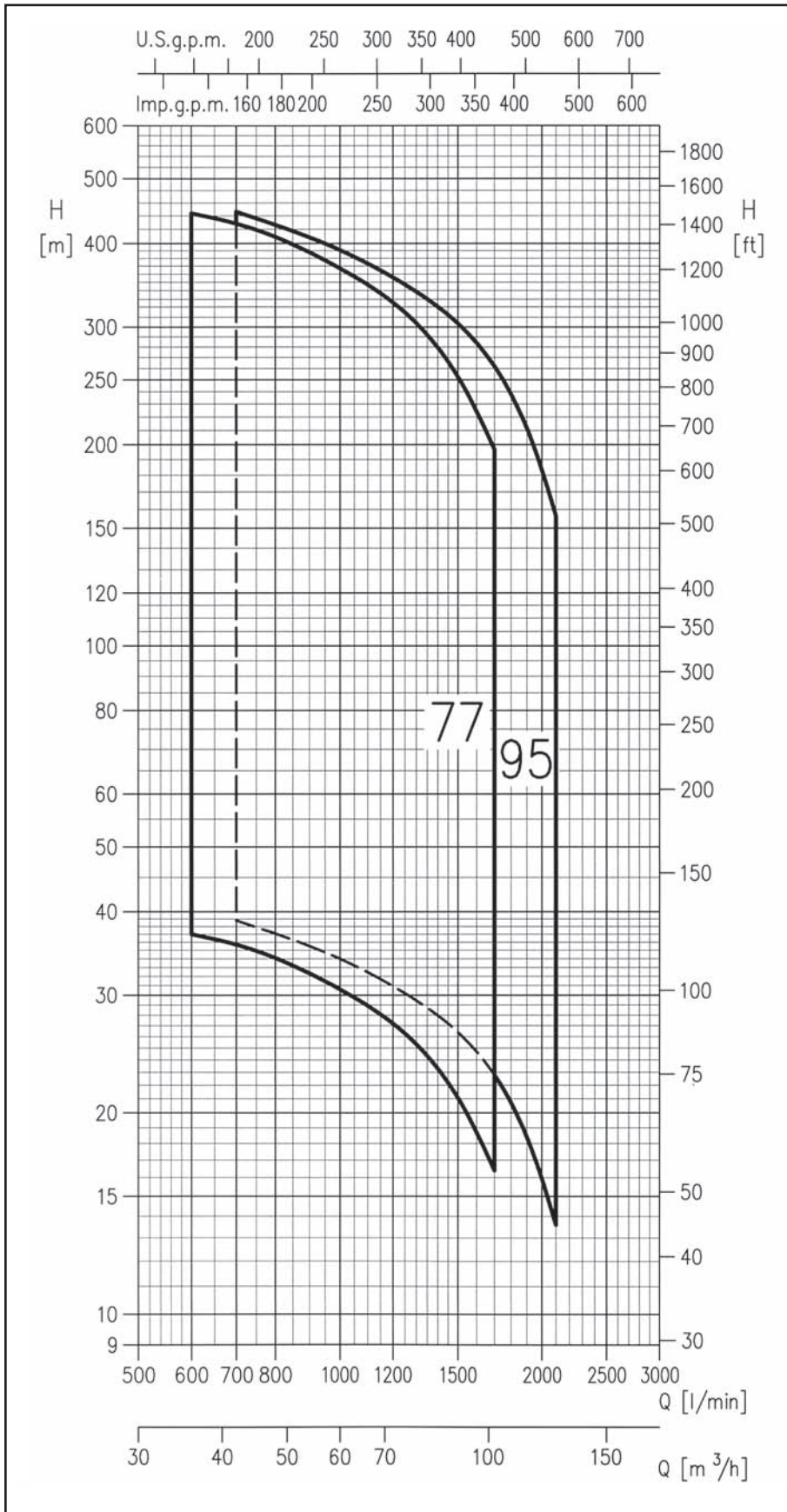
PART DESCRIPTION	TYPE	MATERIAL			
		Standard version		AISI	DIN/EN
		AISI	DIN/EN		
Outer case	Stainless steel	316	1.4401	316	1.4401
Motor Adapter and Flange	Stainless steel	316	1.4401	316	1.4401
suction strainer	Stainless steel	316	1.4401	316	1.4401
discharge head	Stainless steel	316	1.4404	316	1.4404
Check valve assembly	Stainless steel	316	1.4401	316	1.4401
sealing O-ring	Nitrile rubber (NBR)				
stop ring	Stainless steel	316	1.4401	316	1.4401
spring	Stainless steel	316	1.4401	316	1.4401
Pump shaft	Stainless steel	329	1.44060	329	1.44060
upper journal sleeve (1)	Silicon carbide (SiC)				
Coupling to motor	Stainless steel	316/329	1.4401/144060	316/329	1.4401/144060
Diffuser with:	Stainless steel	304	1.4301	316	1.4401
floating neck ring	Teflon (PTFE)				
secondary bearing bush	Nitrile rubber (NBR)				
flange clamping neck ring	Stainless steel	304	1.4301	316	1.4401
Impeller	Stainless steel	304	1.4301	316	1.4401
split cone	Stainless steel	304	1.4301	316	1.4401
split cone nut	Stainless steel	304	1.4301	316	1.4401
Cable guard	Stainless steel	316	1.4401	316	1.4401
Insert locking outer case	Stainless steel	316	1.4401	316	1.4401
Up-thrust washer	Stainless steel	329	1.44060	329	1.44060
Up-thrust disc	Teflon (PTFE)				
Screw and washer	Stainless steel	316	1.4401	316	1.4401

{1) Only for types with more than 16 stages

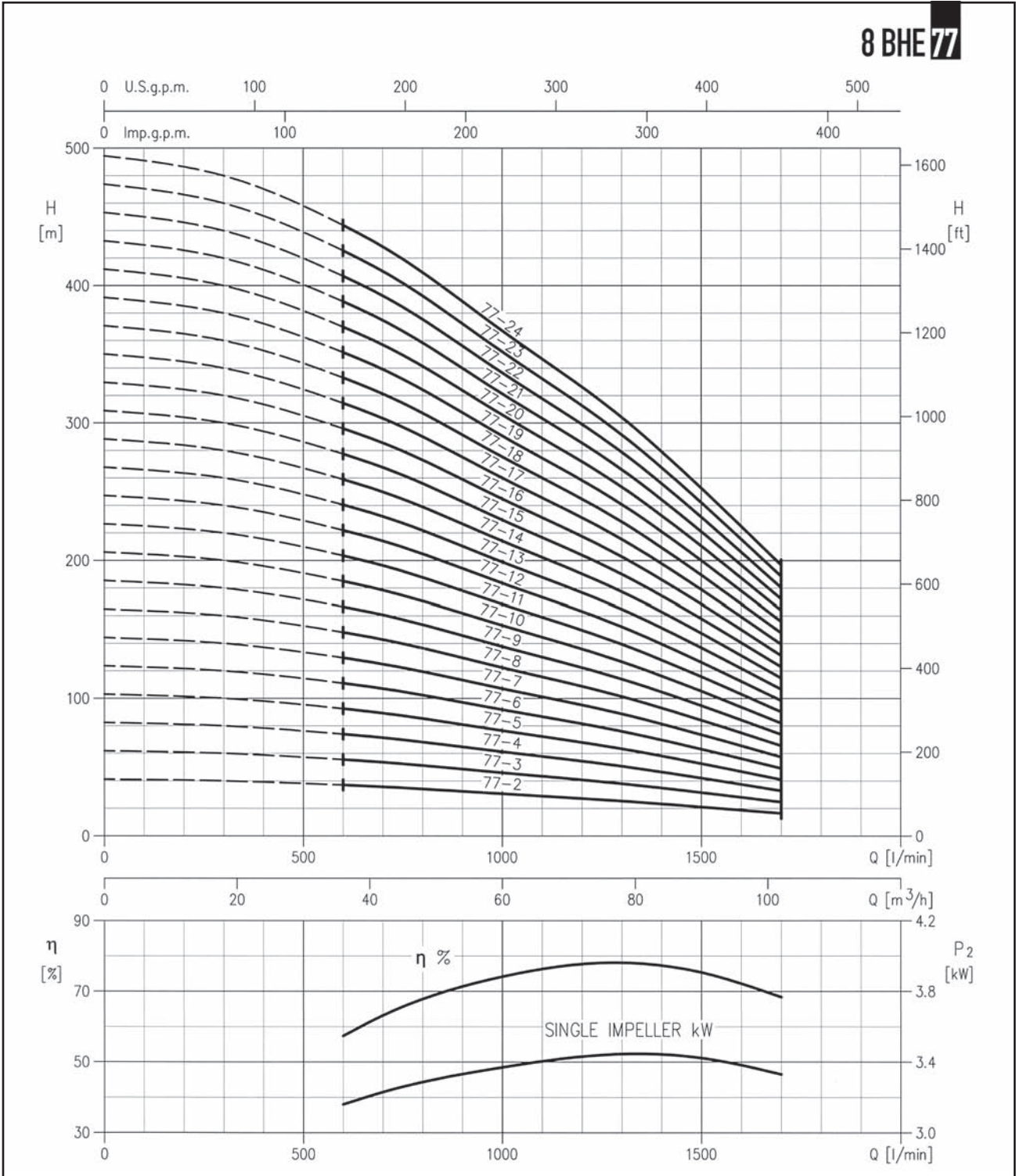


*Mixed flow stage*

## SELECTION CHART

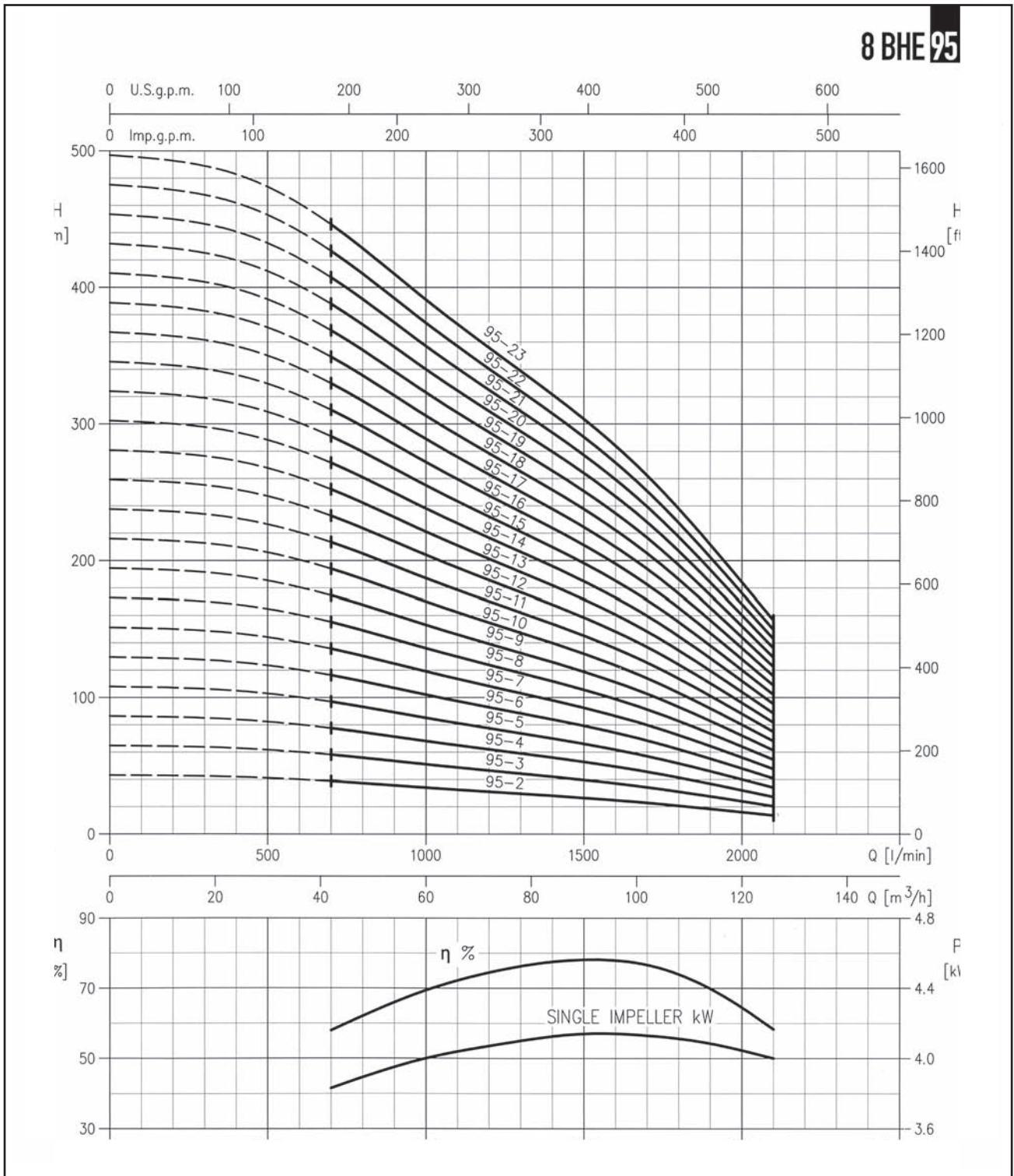


**PERFORMANCE CURVE**



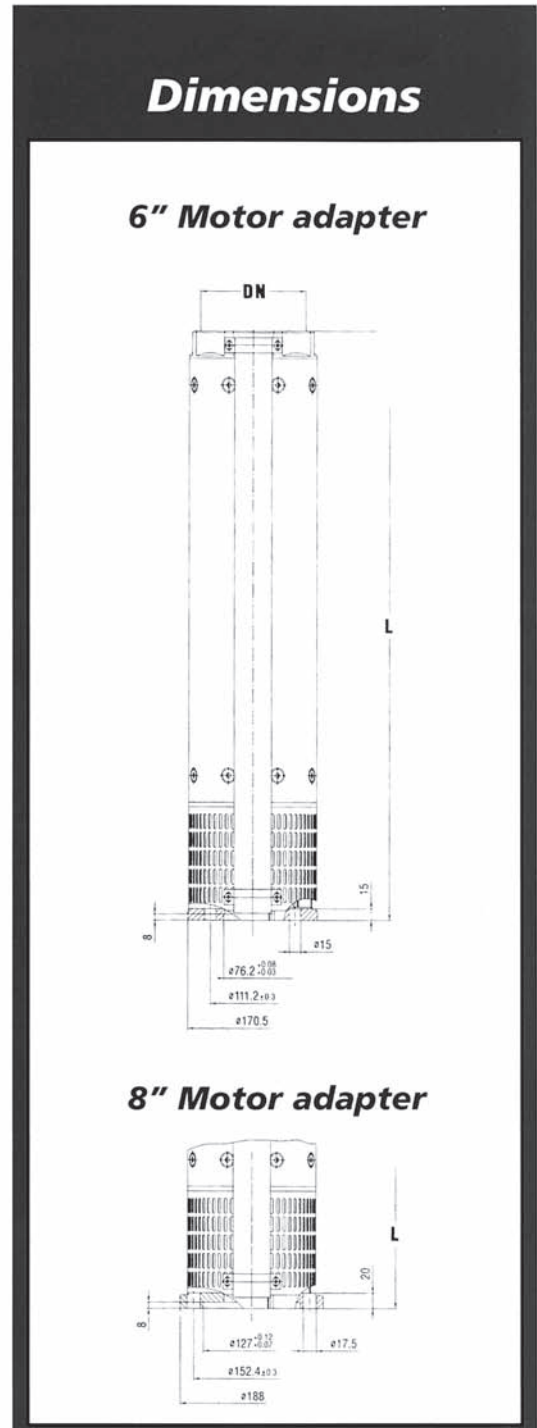
**PERFORMANCE CURVE**

3000min<sup>-1</sup>



## DIMENSION

Pump type	Motor		Power HP	Dimensions		Weight kg
	Size	kW		(mm)	L DN	
86 BHE 77 - 2	6"	7.5	10	644	Rp 5"	31.5
86 BHE 77 - 3	6"	11	15	770	Rp 5"	36.5
86 BHE 77 - 4	6"	15	20	896	Rp 5"	41.5
86 BHE 77 - 5	6"	18.5	25	1022	Rp 5"	46.5
86 BHE 77 - 6	6"	22	30	1148	Rp 5"	51.0
86 BHE 77 - 7	6"	30	40	1274	Rp 5"	56.0
86 BHE 77 - 8	6"	30	40	1400	Rp 5"	61.0
86 BHE 77 - 9	6"	30	40	1526	Rp 5"	66.0
86 BHE 77 - 10	6"	37	50	1652	Rp 5"	71.0
86 BHE 77 - 11	6"	37	50	1778	Rp 5"	76.0
8 BHE 77 - 12	8"	45	60	1909	Rp 5"	82.0
8 BHE 77 - 13	8"	55	75	2035	Rp 5"	87.0
8 BHE 77 - 14	8"	55	75	2161	Rp 5"	92.0
8 BHE 77 - 15	8"	55	75	2287	Rp 5"	97.0
8 BHE 77 - 16	8"	75	100	2413	Rp 5"	101.5
8 BHE 77 - 17	8"	75	100	2539	Rp 5"	106.5
8 BHE 77 - 18	8"	75	100	2665	Rp 5"	111.5
8 BHE 77 - 19	8"	75	100	2791	Rp 5"	116.5
8 BHE 77 - 20	8"	75	100	2917	Rp 5"	121.0
8 BHE 77 - 21	8"	75	100	3043	Rp 5"	126.0
8 BHE 77 - 22	8"	93	125	3169	Rp 5"	131.0
8 BHE 77 - 23	8"	93	125	3295	Rp 5"	136.0
8 BHE 77 - 24	8"	93	125	3421	Rp 5"	141.0
86 BHE 95 - 2	6"	9.2	12.5	644	Rp 5"	31.5
86 BHE 95 - 3	6"	15	20	770	Rp 5"	36.5
86 BHE 95 - 4	6"	18.5	25	896	Rp 5"	41.5
86 BHE 95 - 5	6"	22	30	1022	Rp 5"	46.0
86 BHE 95 - 6	6"	30	40	1148	Rp 5"	51.0
86 BHE 95 - 7	6"	30	40	1274	Rp 5"	56.0
86 BHE 95 - 8	6"	37	50	1400	Rp 5"	61.0
86 BHE 95 - 9	6"	37	50	1526	Rp 5"	66.0
8 BHE 95 - 10	8"	45	60	1657	Rp 5"	72.0
8 BHE 95 - 11	8"	55	75	1783	Rp 5"	77.0
8 BHE 95 - 12	8"	55	75	1909	Rp 5"	82.0
8 BHE 95 - 13	8"	55	75	2035	Rp 5"	87.0
8 BHE 95 - 14	8"	75	100	2161	Rp 5"	92.0
8 BHE 95 - 15	8"	75	100	2287	Rp 5"	97.0
8 BHE 95 - 16	8"	75	100	2413	Rp 5"	102.0
8 BHE 95 - 17	8"	75	100	2539	Rp 5"	106.5
8 BHE 95 - 18	8"	37	125	2665	Rp 5"	111.5
8 BHE 95 - 19	8"	93	125	2791	Rp 5"	116.5
8 BHE 95 - 20	8"	93	125	2917	Rp 5"	121.0
8 BHE 95 - 21	8"	93	125	3043	Rp 5"	126.0
8 BHE 95 - 22	8"	110	150	3169	Rp 5"	131.0
8 BHE 95 - 23	8"	110	150	3295	Rp 5"	136.0



	Diameter with 1 cable cover	Diameter with 2 cable cover	External motor diameter
Pump 8"	186.5	192	-
Pump 8" with motor 6"	186.5	192	136.5
Pump 8" with motor 68"	195	197.5	187.5