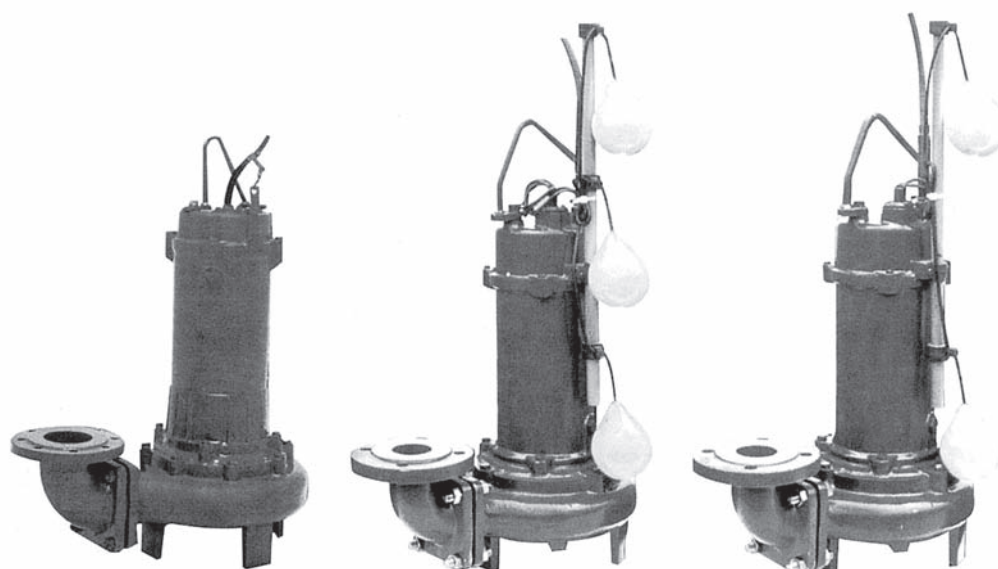


SUBMERSIBLE SEWAGE PUMPS (WITH CUTTER)



APPLICATIONS

- Sewage
- Kitchen drains
- Industrial water drainage

FEATURES

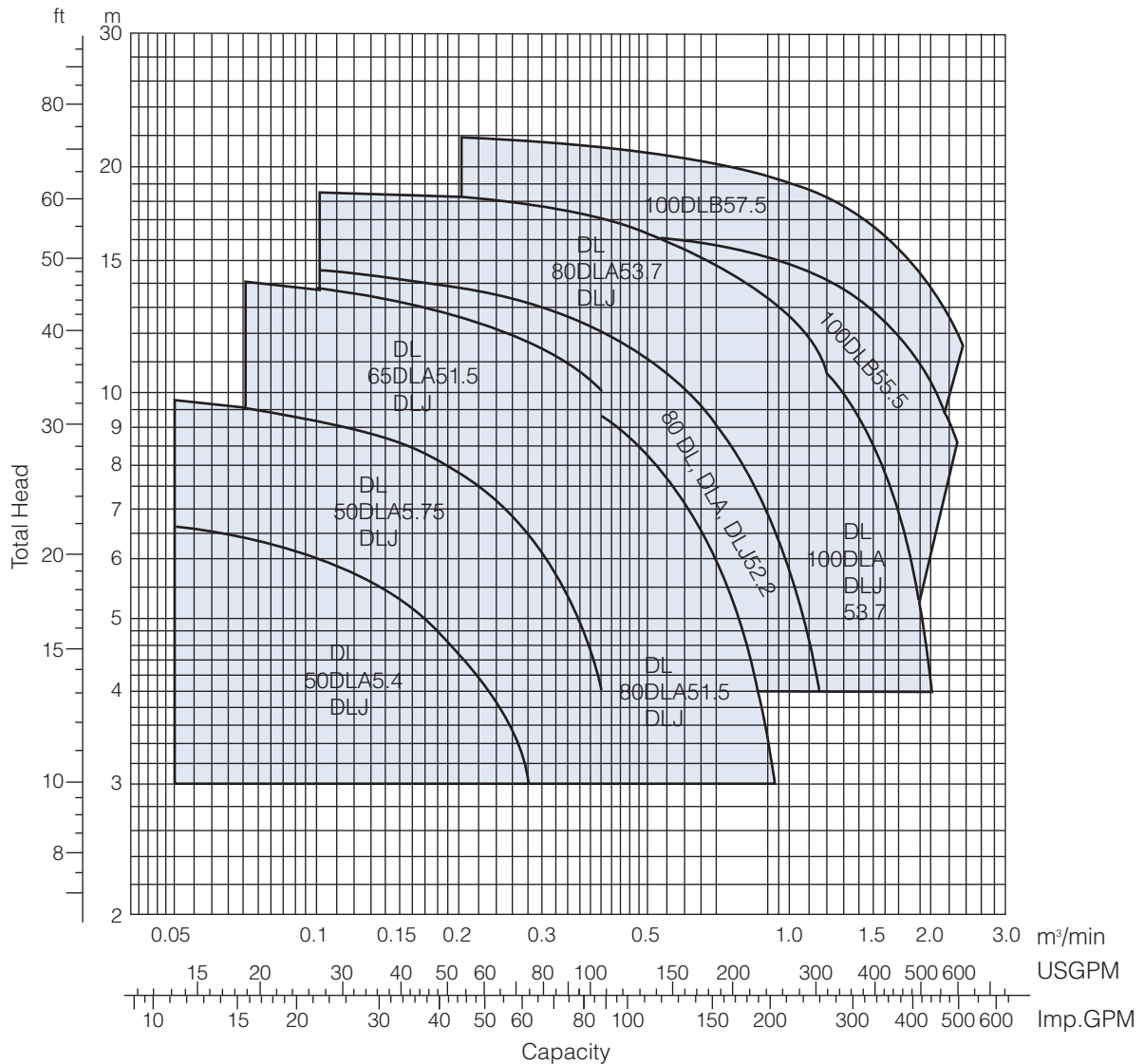
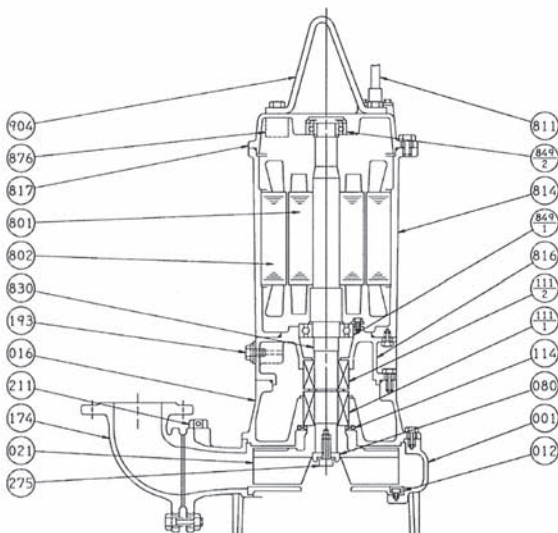
- Available with cutter type semi-open single blade impeller (50-80ø) and semi-open mixed flow double blade impeller, this pump is clog-free.
- Built-in thermal protector automatically operates to prevent motor failure.
- Optional quick discharge connector facilitates installation and maintenance.

ACCESSORIES

- Cab tyre cable : 10m
- Companion flange : 1 set
- Discharge elbow

SPECIFICATIONS

Treated liquid		Sewage and waste water	
Liquid temperatures	Model DL, DLA	0.4 ~ 7.5 kw	0 ~ 40°C
	Model DLJ	0.4 ~ 3.7 kw	0 ~ 32°C
Max. solid size	Diameter (mm)	35mm (50DL); 40mm (65DL); 50mm (80DL); 60mm (100DL)	
	Length (mm)	150mm (50DL); 195mm (65DL & 80DL); 300mm (100DL)	
Structure	Impeller	Semi-open single blade (50-80ø)	
		Semi-open mixed flow double blade (100ø)	
Flange	Shaft seal	Double mechanical seal	
	Rating	JIS B2212: 10kgf/cm ² thin type	
Materials	Casing	Cast Iron	
	Impeller	Cast Iron	
	Shaft	403 stainless steel	
Motor	Type	Dry type submersible	
	Number of pole	4 pole	

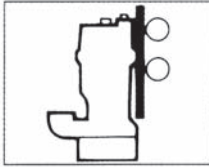
SELECTION CHART
1500 min⁻¹

SECTIONAL VIEW


PART NO.	PART NAME	PART NO.	PART NAME
001	CASING	801	ROTOR
012	SUCTION COVER	802	STATOR
016	MECHANICAL SEAL COVER	811	SUBMERSIBLE CABLE
021	IMPELLER	814	MOTOR FRAME
080	BUSHING	816	POWER SIDE BRACKET
111-1	MECHANICAL SEAL	817	OPPOSITE SIDE BRACKET
111-2	MECHANICAL SEAL	830	SHAFT
114	OIL SEAL	849-1	BALL BEARING
174	DISCHARGE BEND	849-2	BALL BEARING
193	OIL PLUG	876	PROTECTOR
211	AIR VENT VALVE	904	LIFTING HANGER
275	IMPELLER BOLT		

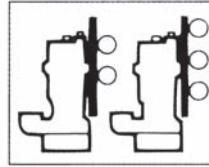
OPERATION FEATURES

FEATURES

- Automatic, automatic alternating and parallel operation without use of control panel.
- Since a control panel is unnecessary, operation can begin as soon as the pumps are installed and connected to a power source.
- A highly reliable float switch, impervious to sewage and impurities, used for water surfaces level detection, prevent dry operation.

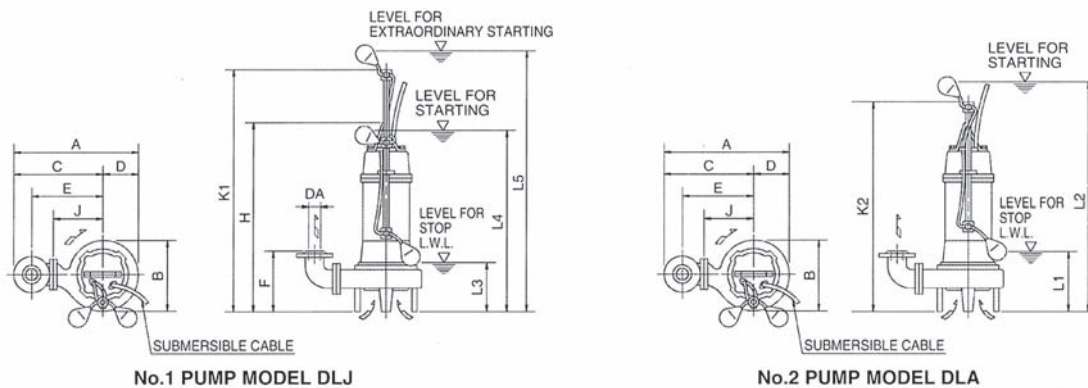


- Automatic operation by using one type DLA pump.



- Automatic alternating operation using type DLA and DLJ pumps.

DIMENSION

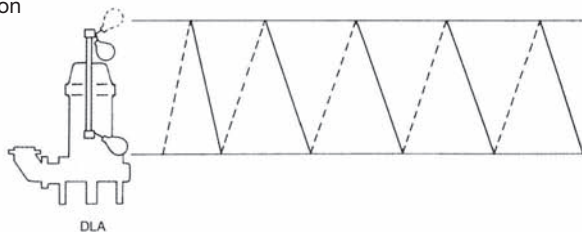


Unit : mm

Size DA	Model	Output kW	Pump and motor														Mass Kg	
			A	B	C	D	E	F	H	J	K1	K2	L1	L2	L3	L4		L5
50	50DLJ5.4, 50DLA5.4	0.4	393	222	283	110	205	175	595	150	740	630	250	650	220	570	760	33
	50DLJ5.75, 50DLA5.75	0.75	411	239	293	118	215	175	595	160	740	630	250	650	220	570	760	36
65	65DLJ51.5, 65DLA51.5	1.5	497	291	353	144	265	200	662	200	980	840	320	860	290	780	970	55
80	80DLJ51.5, 80DLA51.5	1.5	524	292	378	146	285	220	683	210	950	840	320	860	290	80	970	58
	80DLJ52.2, 80DLA52.2	2.2	542	308	388	154	295	220	728	220	950	840	320	880	290	780	970	70
	80DLJ53.7, 80DLA53.7	3.7	567	328	403	164	310	220	761	235	950	840	320	860	290	780	970	78
100	100DLJ53.7, 100DLA53.7	3.7	614	335	445	169	340	250	780	235	950	840	320	860	290	780	970	85

OPERATION

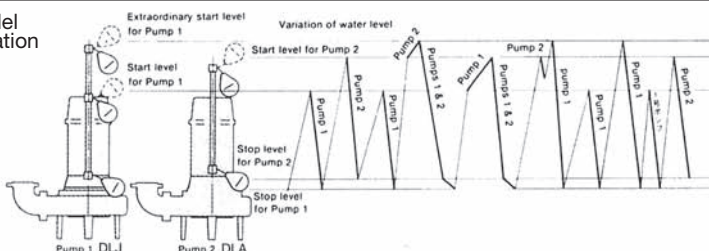
Automatic operation



Pump operation

Intake	Discharge
Intake	Discharge
OFF	ON
ON	OFF
ON	ON
OFF	OFF
ON	OFF
OFF	ON

Parallel operation



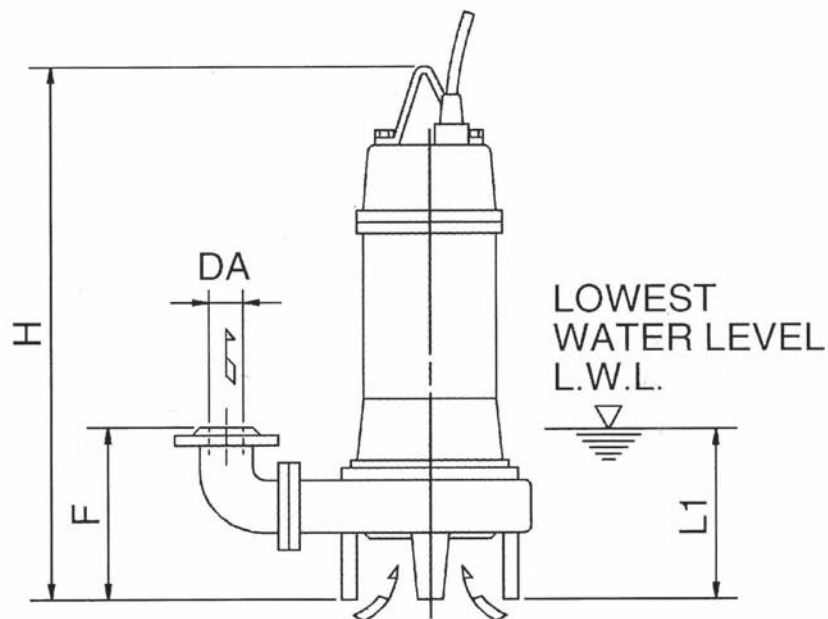
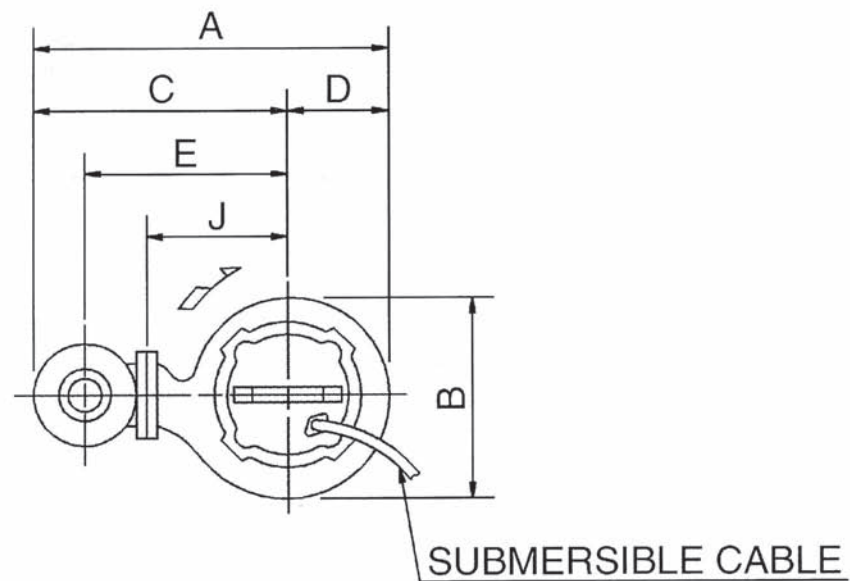
Pump operation

Pump 1	Pump 2	Motor protector operation
OFF	OFF	OFF
ON	OFF	ON
OFF	ON	OFF
ON	ON	ON
OFF	OFF	OFF
ON	OFF	ON
OFF	ON	OFF
ON	ON	ON

Normal automatic alternating operation Parallel operation at time of extraordinary flooding Pump 2 motor protector operation Pump 1 independent operation

Note: When Model DLJ is operated in parallel, it will be necessary to provide more than twice the usual amount of power.

*All specifications subject to change without notice. In this catalog, the particulars in () are in accordance with the International System of Units (SI) and given for reference only.

DIMENSION (MANUAL TYPE)


Unit : mm

Size DA	Model	Output kW	Pump and motor									Mass Kg
			A	B	C	D	E	F	H	J	L1	
50	50DL5.4	0.4	393	222	283	110	205	175	558	150	120	31
	50DL5.75	0.75	411	239	293	118	215	175	558	160	120	34
65	65DL51.5	1.5	497	291	353	144	265	200	576	200	140	52
80	80DL51.5	1.5	524	292	378	146	285	220	597	210	165	55
	80DL52.2	2.2	542	308	388	154	295	220	654	220	165	67
	80DL53.7	3.7	567	328	403	164	310	220	687	235	165	75
100	100DL53.7	3.7	614	335	445	169	340	250	706	235	185	79
	100DLB55.5	5.5	646	369	460	186	355	323	768	250	205	123
	100DLB57.5	7.5	673	385	480	193	375	323	760	270	205	141