

## DRY-PIT TYPE NON CLOG PUMPS



### APPLICATIONS

- Sewage
- Waste water

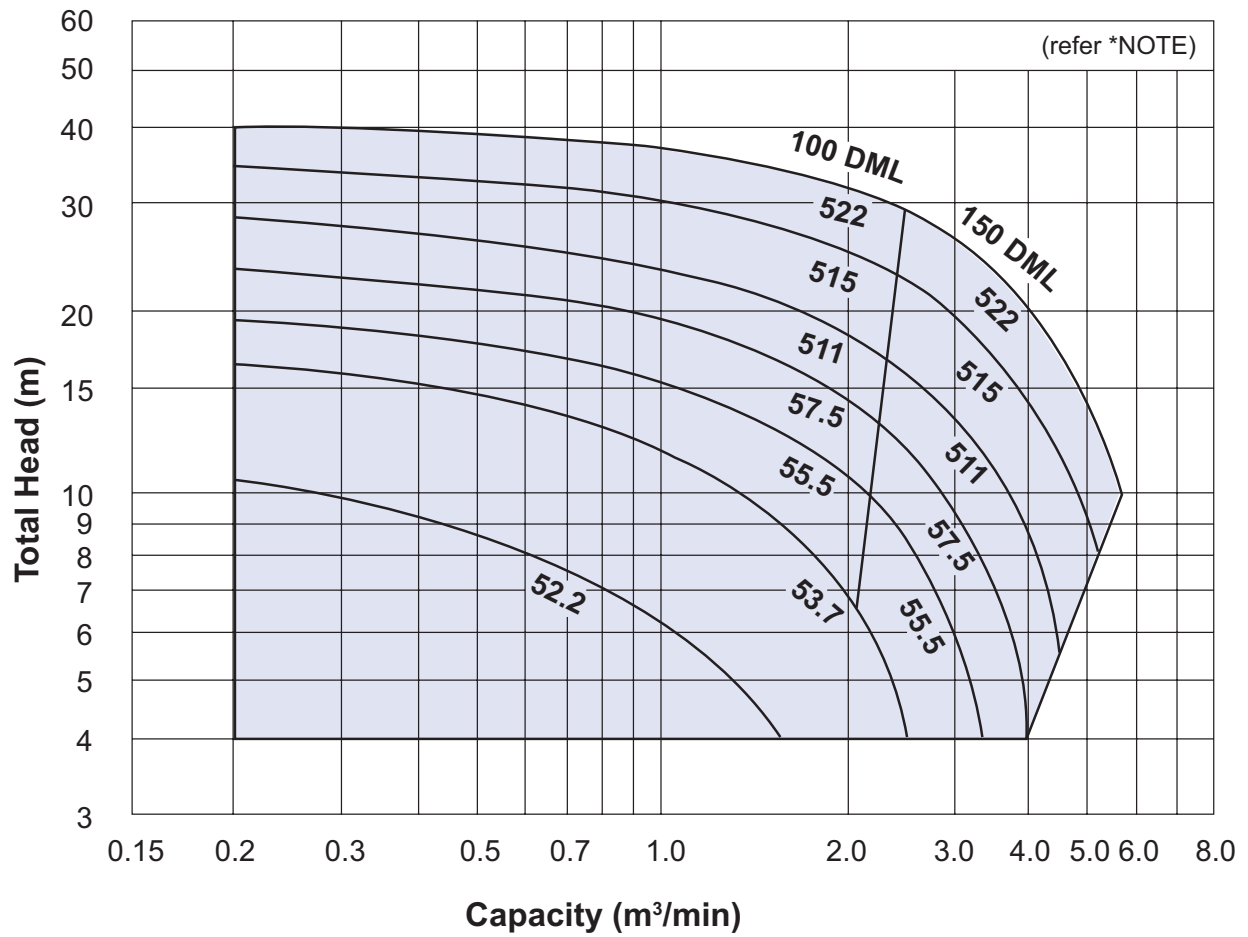
### FEATURES

- Non-clog single channel impeller with 3" free solid passage
- Range model up to 150mm discharge

### SPECIFICATION

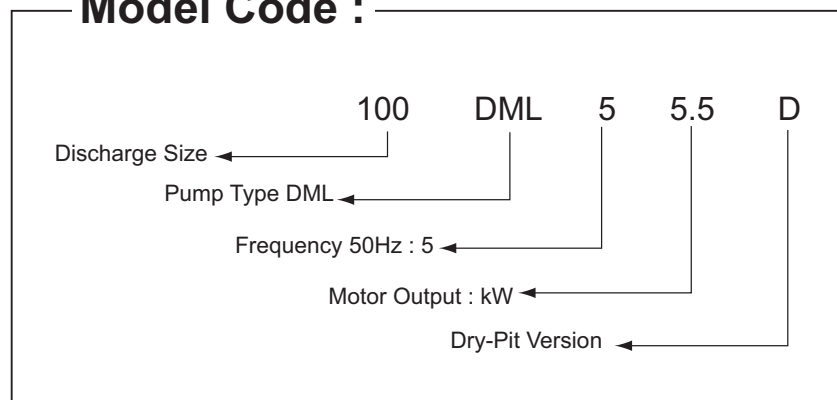
Pump			
Liquid Handled	Type of liquid	Sewage, Waste water	
	Temperature	0°C-40°C	
	Max solids size	76mm	
Maximum Submergence		8m	
Minimum Submergence		Refer to water level (L.W.L.) in dimensions It is possible to operate at low water level for 30min	
Synchronous Speed		1500min <sup>-1</sup>	
Construction	Mechanical Seal	Double mechanical seal	
	Impeller	Single Channel, non-clog	
	Bearing	Prelubricated bearing	
Material	Casing	Cast iron	
	Impeller	Cast iron	
	Shaft	403 Stainless Steel	
	Mechanical Seal	Impeller side	Silicon carbide
		Motor side	Ceramic / Carbon
Cooling Jacket		Mild steel	
Motor			
Insulation	Class F		
Protection	Built-in overload protector (2.2kW); Built-in temperature detector protection (3.7kW - 2.2kW)		
Accessories			
Cable	10m		
Accessories	Cooling jacket, suction elbow, discharge connection and pump stand		

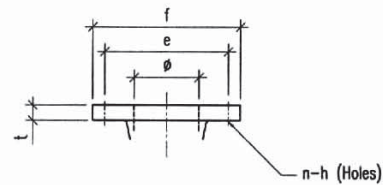
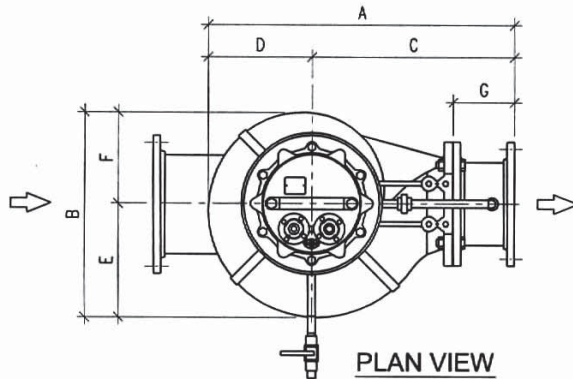
## SELECTION CHART



**\*Note :** Larger range up to 45 kW using DL models available upon request. (refer page 147 & 148)

### Model Code :



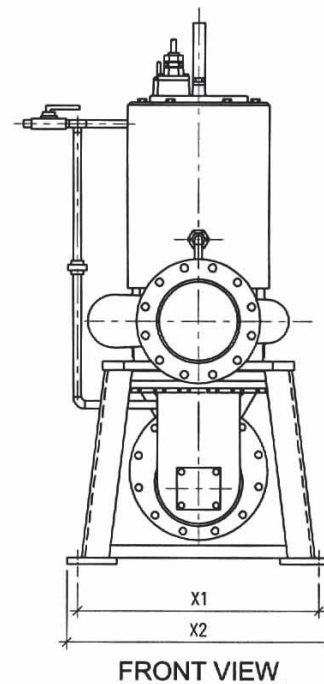
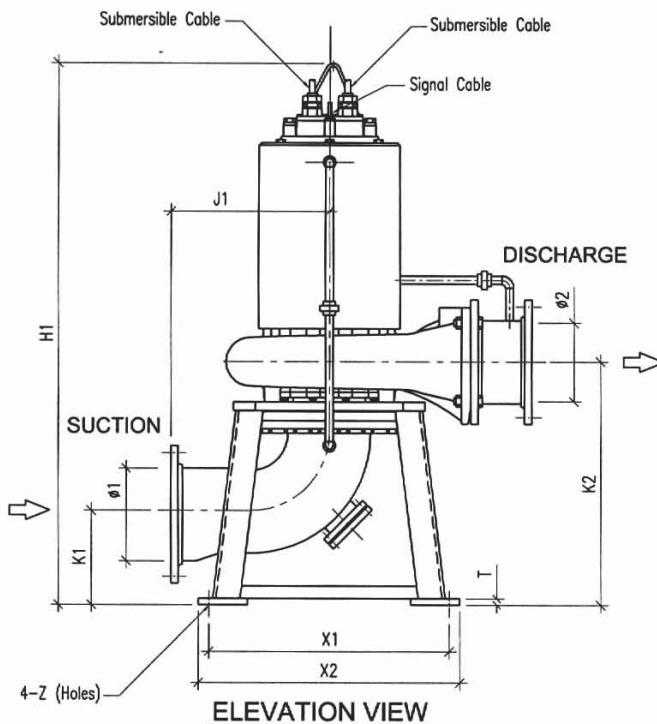
**DIMENSION**
**■ Applicable Models - 100 DML - D**

**DISCHARGE PIPE FLANGE**

ø2	e	f	t	n	h
100	175	210	16	8	15

**SUCTION PIPE FLANGE**

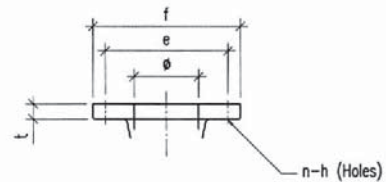
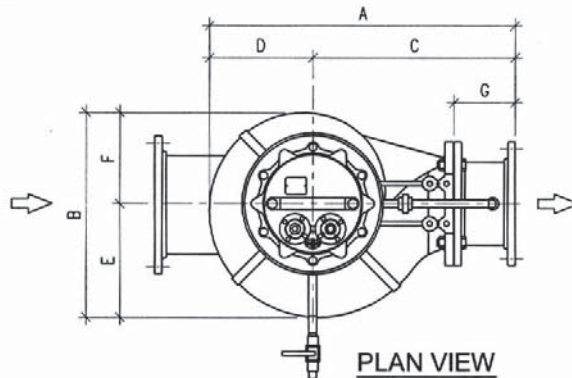
ø1	e	f	t	n	h
125	210	250	18	8	19
150	240	280	18	8	19

\* FLANGE STD : JIS 10K RF



PHASE	Hz	SIZE DA		MODEL	OUTPUT KW	PUMP & MOTOR DIMENSION														APPROX. WEIGHT Kg.	
		ø1	ø2			A	B	C	D	E	F	G	H1	J1	K1	K2	T	X1	X2		Z
THREE	50	125	100	100 DML 52.2 D	2.2	517	320	360	157	144	176	150	933	210	200	545	9	425	500	20	148
				100 DML 53.7 D	3.7	517	320	380	157	144	176	150	994	210	200	545	9	425	500	20	159
		150	100	100 DML 55.5 D	5.5	593	381	405	188	167	214	150	1079	210	200	545	9	425	500	20	196
				100 DML 57.5 D	7.5	593	381	405	188	167	214	150	1079	210	200	545	9	425	500	20	200
		150	100	100 DML 511 D	11	686	455	465	221	208	247	150	1144	210	200	545	9	425	500	20	242
				100 DML 515 D	15	686	455	465	221	208	247	150	1144	210	200	545	9	425	500	20	248
		150	100	100 DML 522 D	22	730	497	485	245	226	271	150	1214	210	200	545	9	425	500	20	311

Units: mm unless otherwise specified

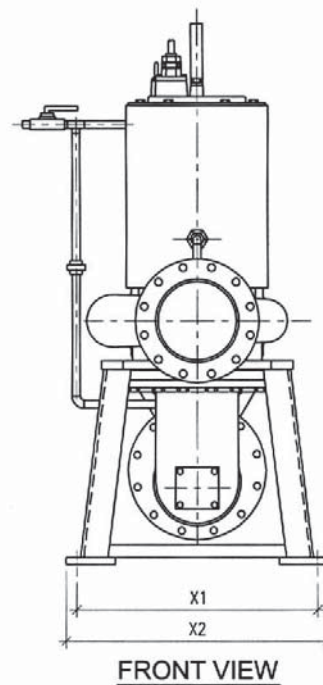
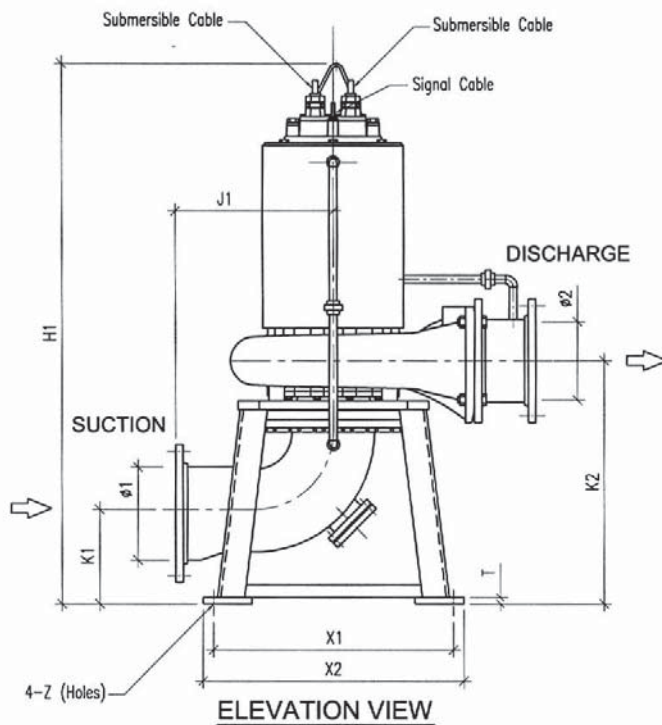
**DIMENSION**
**■ Applicable Models - 150 DML - D**

**DISCHARGE PIPE FLANGE**

ø2	e	f	t	n	h
150	240	280	18	8	19

**SUCTION PIPE FLANGE**

ø1	e	f	t	n	h
200	290	330	20	12	19

\* FLANGE STD : JIS 10K RF



PHASE	Hz	SIZE DA		MODEL	OUTPUT KW	PUMP & MOTOR DIMENSION														APPROX. WEIGHT Kg.	
		ø1	ø2			A	B	C	D	E	F	G	H1	J1	K1	K2	T	X1	X2		Z
THREE	50	200	150	150 DML 55.5 D	5.5	593	381	405	188	167	214	150	1359	370	236	610	9	400	500	20	213
				150 DML 57.5 D	7.5	593	381	405	188	167	214	150	1359	370	236	610	9	400	500	20	218
				150 DML 511 D	11	686	455	465	221	208	247	150	1320	370	230	610	9	500	560	20	264
				150 DML 515 D	15	686	455	465	221	208	247	150	1320	370	230	610	9	500	560	20	270
				150 DML 522 D	22	730	497	485	245	226	271	150	1405	370	236	610	9	500	560	20	333

Units: mm unless otherwise specified