

## CENTRIFUGAL PUMPS – MONOBLOC in cast iron

Single impeller centrifugal pumps manufactured in cast iron, suitable for pressure boosting of water for irrigation, and non-aggressive liquids for civil and industrial uses. CMR series is fitted with an open impeller for suspended solids handling.



### SPECIFICATIONS

- Maximum working pressure : 6 bar, 8 bar for CMA 1.50-2.00-3.00 – CMB 4.40-5.50
- Maximum liquid temperature : 35°C according to EN 60335-2-41 for domestic uses  
40°C for CMA 0.50-0.75-0.80-1.00  
90°C for other models

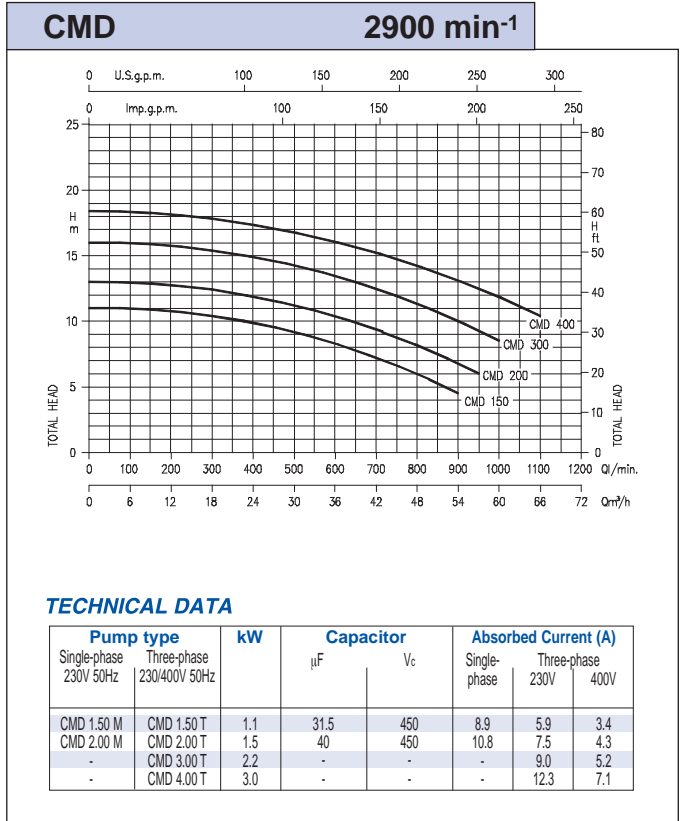
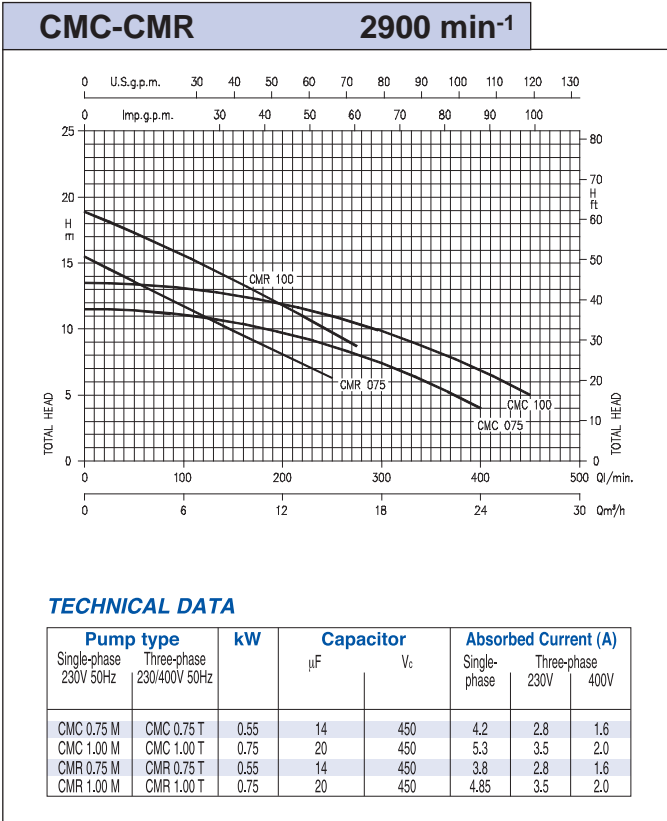
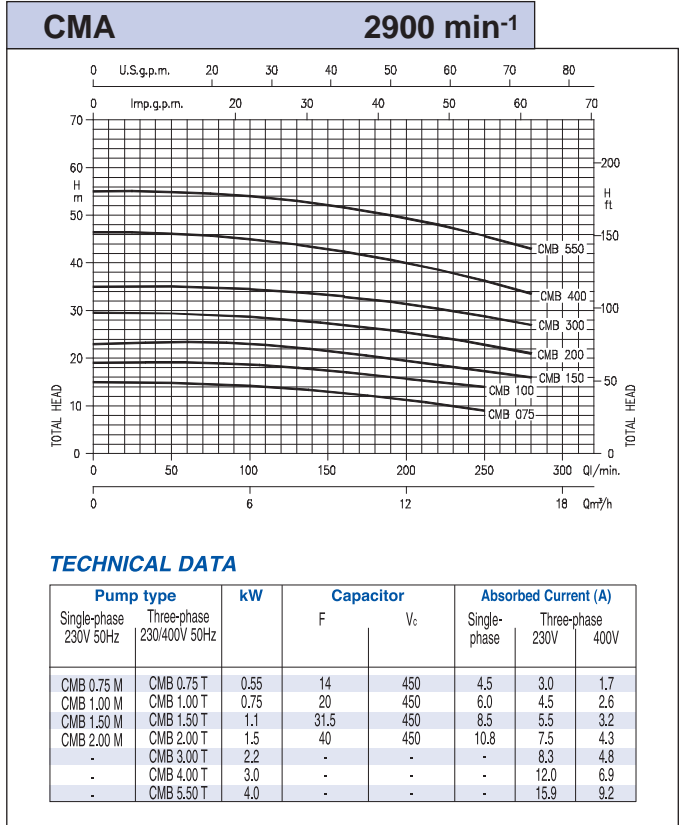
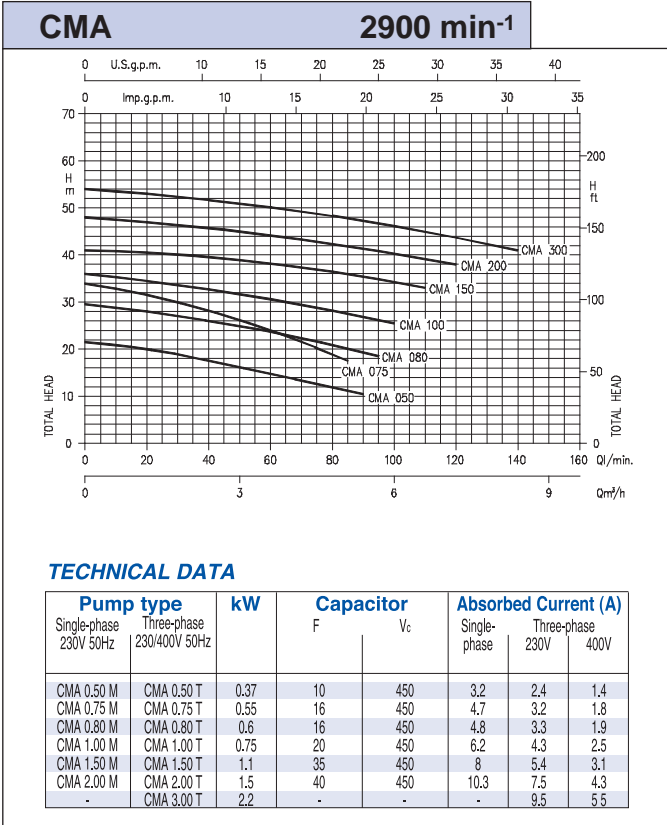
### MATERIALS

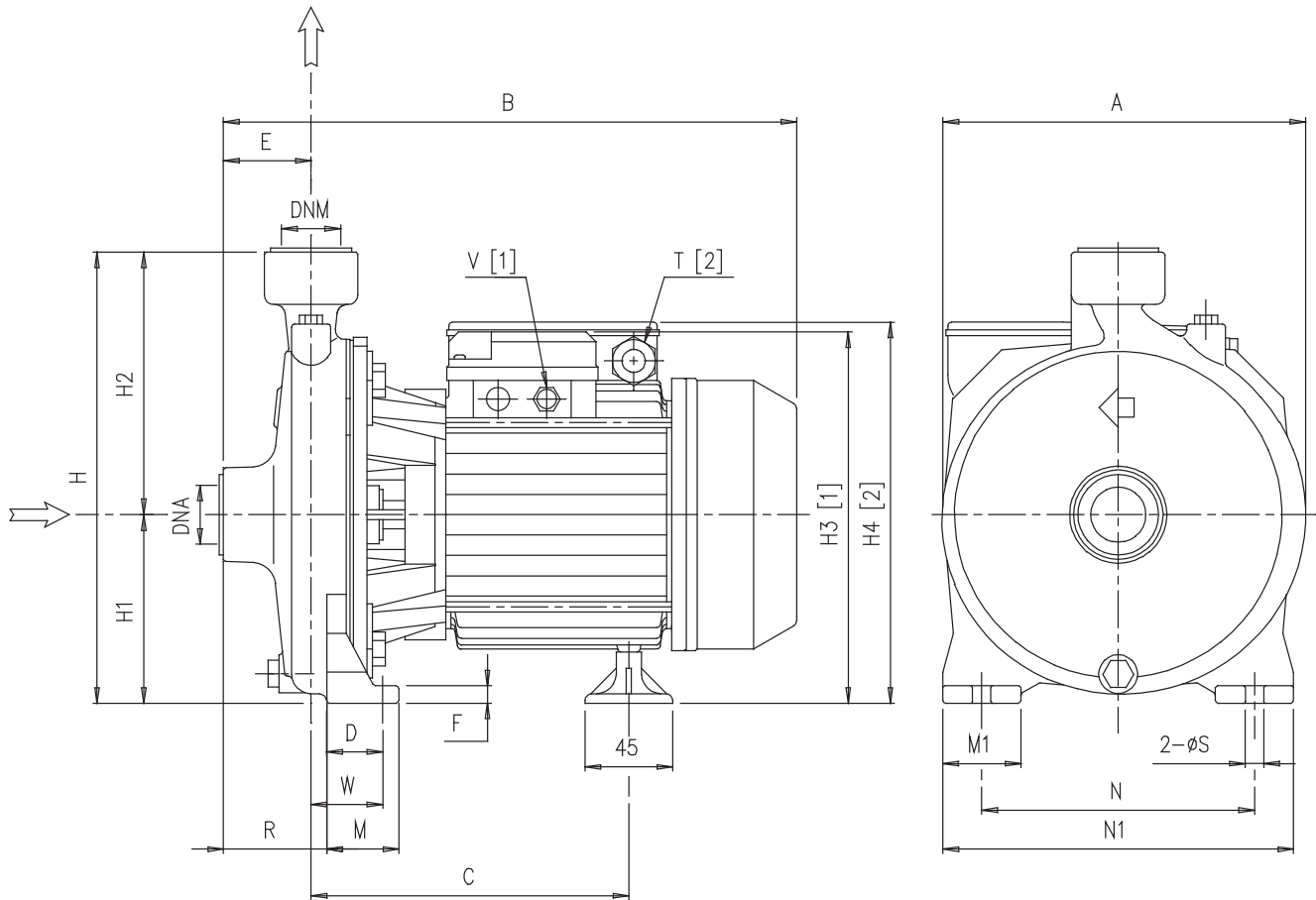
- Pump body in cast iron
- Mechanical seal in carbon/ceramic/NBR
- Impeller : In technopolymer for CMA 0.50-0.75-0.80-1.00  
In brass for CMA 1.50-2.00-3.00  
CMB 2.00-3.00-4.00-5.50  
CMR 0.75-1.00  
In cast iron for the other models
- Shaft : In AISI 303 for CMA 1.50-2.00-3.00  
CMB 1.50-2.00-3.00  
CMD 1.50-2.00-3.00  
In AISI 304 for CMB 4.00-5.50  
CMD 4.00  
In AISI 416 for the other models
- Bracket : In aluminium for CMA 0.50-0.75-0.80-1.00  
CMB 0.75-1.00  
CMC 0.75-1.00  
CMR 0.75-1.00  
In cast iron for the other models

### TECHNICAL DATA

- T.E.F.C. 2 pole motor
- Insulation: Class F
- Protection degree: IP44
- 1~230V ± 10% 50Hz, 3~230/400V ± 10% 50Hz
- Permanent split capacitor and automatic thermal overload protection for single-phase version
- Thermal protection to be provided by the user for three-phase version

# PERFORMANCE CURVE



**DIMENSION**

**DIMENSIONAL TABLE**

Pump type		Dimensions (mm)																				Weight		
Single-phase	Three-phase	A	B	C	D	E	F	H	H1	H2	H3	H4	M	M1	N	N1	R	T	V	W	S	DNA	DNM	Kg
CMA 0.50 M	CMA 0.50 T	160	261.8	158.8	30	44	8	202	82	120	3-	1-	40	40	110	150	44	PG11	PG11	30	9.5	G 1	G 1	7.3
CMA 0.75 M	CMA 0.75 T	185	300.3	171.8	36.8	45	9	232	97	135	172.5	173	45	40	140	180	45	PG11	PG11	36.8	9.5	G 1	G 1	11.7
CMA 0.80 M	CMA 0.80 T	185	300.3	171.8	36.8	45	9	232	97	135	197.5	198	45	40	140	180	45	PG11	PG11	36.8	9.5	G 1	G 1	10.7
CMA 1.00 M	CMA 1.00 T	185	300.3	171.8	36.8	45	9	232	97	135	197.5	198	45	40	140	180	45	PG11	PG11	36.8	9.5	G 1	G 1	12.0
CMA 1.50 M	CMA 1.50 T	200	347.3	208.3	41.8	45.5	9	252	100	152	214	232	50	40	155	194	45.5	PG13.5	PG11	41.8	9.5	G 1 1/4	G 1	19.4
CMA 2.00 M	CMA 2.00 T	225	360.3	208.3	41.8	45.5	9	285	115	170	229	247	50	40	180	220	45.5	PG13.5	PG11	41.8	9.5	G 1 1/4	G 1	21.3
-	CMA 3.00 T	225	360.3	208.3	41.8	45.5	9	285	115	170	229	-	50	40	180	220	45.5	-	PG11	41.8	9.5	G 1 1/4	G 1	22.0
CMB 0.75 M	CMB 0.75 T	188	315.3	182.3	36.8	49.5	9	251.5	101.5	150	127	127.5	45	40	140	180	65.5	PG11	PG11	52.8	9.5	G 2	G 1 1/4	12.5
CMB 1.00 M	CMB 1.00 T	188	315.3	182.3	36.8	49.5	9	251.5	101.5	150	127	127.5	45	40	140	180	65.5	PG11	PG11	52.8	9.5	G 2	G 1 1/4	13.8
CMB 1.50 M	CMB 1.50 T	188	349.3	206.3	36.8	49.5	9	251.5	101.5	150	215.5	233.5	45	40	140	180	65.5	PG13.5	PG11	52.8	9.5	G 2	G 1 1/4	20.5
CMB 2.00 M	CMB 2.00 T	200	373.3	209.3	36.8	57.5	9	271.5	111.5	160	225.5	243.5	45	40	160	200	76.5	PG13.5	PG11	55.8	9.5	G 2	G 1 1/4	21.5
-	CMB 3.00 T	200	373.3	209.3	36.8	57.5	9	271.5	111.5	160	225.5	-	45	40	160	200	76.5	-	PG11	55.8	9.5	G 2	G 1 1/4	21.5
-	CMB 4.00 T	247	428.8	222.3	48	60	12	323.5	133.5	190	264.5	-	60	50	190	240	77.5	-	G 1/2	65.5	12	G 2	G 1 1/4	38.0
-	CMB 5.50 T	247	428.8	222.3	48	60	12	323.5	133.5	190	264.5	-	60	50	190	240	77.5	-	G 1/2	65.5	12	G 2	G 1 1/4	41.0
CMC 0.75 M	CMC 0.75 T	186	313.3	186.8	36.8	43	9	247	97	150	197.5	198	45	40	140	180	63.5	PG11	PG11	57.3	9.5	G 2	G 2	12.3
CMC 1.00 M	CMC 1.00 T	186	313.3	186.8	36.8	43	9	247	97	150	197.5	198	45	40	140	180	63.5	PG11	PG11	57.3	9.5	G 2	G 2	13.0
CMD 1.50 M	CMD 1.50 T	213	384.3	222.8	36.8	68	12	271.5	111.5	160	225.5	243.5	45	40	160	200	100.5	PG13.5	PG11	69.3	9.5	G 2 1/2	G 2 1/2	22.0
CMD 2.00 M	CMD 2.00 T	213	397.3	222.8	36.8	68	12	271.5	111.5	160	225.5	243.5	45	40	160	200	100.5	PG13.5	PG11	69.3	9.5	G 2 1/2	G 2 1/2	24.0
-	CMD 3.00 T	213	397.3	222.8	36.8	68	12	271.5	111.5	160	225.5	-	45	40	160	200	100.5	-	PG11	69.3	9.5	G 2 1/2	G 2 1/2	24.0
-	CMD 4.00 T	213	449.3	234.8	36.8	68	12	271.5	111.5	160	354	-	45	50	160	200	100.5	-	G 1/2	69.3	9.5	G 2 1/2	G 2 1/2	31.5
CMR 0.75 M	CMR 0.75 T	180	310.3	181.8	36.8	45	9	229	97	132	197.5	198	45	40	140	180	60.5	PG11	PG11	52.3	9.5	G 1 1/2	G 1 1/2	11.0
CMR 1.00 M	CMR 1.00 T	180	310.3	181.8	36.8	45	9	229	97	132	197.5	198	45	40	140	180	60.5	PG11	PG11	52.3	9.5	G 1 1/2	G 1 1/2	12.2